



US00D604276S

(12) **United States Design Patent**
Schneider et al.

(10) **Patent No.:** **US D604,276 S**

(45) **Date of Patent:** **** Nov. 17, 2009**

(54) **ANTENNA ELEMENT**

(75) Inventors: **Richard E. Schneider**, Wildwood, MO (US); **John Edwin Ross, III**, Salt Lake City, UT (US)

(73) Assignee: **Antennas Direct, Inc.**, Eurkea, MO (US)

(**) Term: **14 Years**

(21) Appl. No.: **29/305,294**

(22) Filed: **Mar. 17, 2008**

Related U.S. Application Data

(63) Continuation-in-part of application No. 12/040,464, filed on Feb. 29, 2008, application No. 29/305,294, and a continuation of application No. 12/050,133, filed on Mar. 17, 2008, which is a continuation-in-part of application No. 12/040,464.

(51) **LOC (9) Cl.** **14-03**

(52) **U.S. Cl.** **D14/230; D14/234**

(58) **Field of Classification Search** D14/230–238, D14/299, 358, 240; 343/700 R, 840, 841, 343/908; 455/3.02, FOR. 215, 575.2; D22/115; 473/578; D13/184

See application file for complete search history.

(56) **References Cited**

U.S. PATENT DOCUMENTS

2,480,155	A *	8/1949	Masters	343/795
D170,203	S	8/1953	Leonard		
D171,560	S *	2/1954	Rutter	D14/230
D177,200	S *	3/1956	Valiulis	D14/230
D179,111	S *	11/1956	Ballan et al.	D14/234
3,015,101	A	12/1961	Turner et al		
3,123,826	A	3/1964	Durham		
3,239,838	A *	3/1966	Kelleher	343/789
3,273,158	A *	9/1966	Fouts et al.	343/792
D209,402	S *	11/1967	Burlingame	D14/234
D211,025	S *	5/1968	Callaghan	D14/234

3,434,145	A	3/1969	Wells		
4,184,163	A	1/1980	Woodward		
D318,673	S *	7/1991	Terk	D14/230

(Continued)

FOREIGN PATENT DOCUMENTS

JP	D1213590	6/2004
----	----------	--------

(Continued)

OTHER PUBLICATIONS

Frequency-and Time-Domain Modeling of Tapered Loop Antennas in Ultra-Wideband Radio Systems, Shiou-Li Chen and Shau-Gang Mao, Graduate Institute of Computer and Communication Engineer, pp. 179-182, IEEE copyright notice 2006.

(Continued)

Primary Examiner—T. Chase Nelson
Assistant Examiner—John Windmuller
(74) *Attorney, Agent, or Firm*—Harness, Dickey & Pierce, P.L.C.

(57) **CLAIM**

The ornamental design for an antenna element, as shown and described.

DESCRIPTION

FIG. 1 is a perspective view of the antenna element, showing our new design;

FIG. 2 is a front elevation view thereof;

FIG. 3 is a back elevation thereof;

FIG. 4 is a bottom plan view thereof;

FIG. 5 is a top plan view thereof;

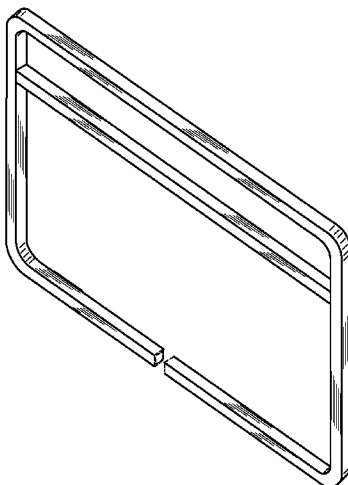
FIG. 6 is a right elevation view thereof;

FIG. 7 is a left elevation view thereof; and,

FIG. 8 is a perspective view thereof in use.

In the drawings, the broken lines depict environmental subject matter only and form no part of the claimed design.

1 Claim, 8 Drawing Sheets



U.S. PATENT DOCUMENTS

D327,690 S 7/1992 Ogawa et al.
 D344,731 S * 3/1994 Witzky D14/230
 5,313,218 A 5/1994 Busking
 D414,495 S 9/1999 Heiligenstein et al.
 6,593,886 B2 7/2003 Schantz
 6,680,708 B2 1/2004 Yamaki
 6,885,352 B2 4/2005 Lee et al.
 7,091,925 B1 8/2006 Wang
 7,209,089 B2 4/2007 Schantz
 D544,471 S * 6/2007 Wang D14/230
 7,239,290 B2 7/2007 Poilasne et al.
 2002/0158798 A1 10/2002 Chiang et al.
 2004/0090379 A1 5/2004 Fourdeux et al.
 2004/0090385 A1 5/2004 Green
 2004/0113841 A1 6/2004 Louzir et al.
 2004/0217912 A1 11/2004 Mohammadian
 2005/0088342 A1 4/2005 Parsche
 2005/0280582 A1 12/2005 Powell et al.
 2006/0033665 A1 2/2006 Yang
 2006/0077115 A1 * 4/2006 Oh et al. 343/895
 2006/0103577 A1 5/2006 Lee
 2006/0164304 A1 7/2006 Huang et al.
 2007/0069955 A1 3/2007 McCorkle
 2007/0200769 A1 8/2007 Nakano et al.
 2008/0094291 A1 4/2008 Bystrom et al.
 2008/0211720 A1 9/2008 Hansen
 2008/0258980 A1 10/2008 Chen et al.
 2009/0058732 A1 3/2009 Nakano et al.
 2009/0073067 A1 3/2009 Soler Castany et al.

FOREIGN PATENT DOCUMENTS

TW D112283 8/2006

TW D119092 9/2007

OTHER PUBLICATIONS

Planar Miniature Tapered-Slot-Fed Annular Slot Antennas for Ultrawide-Band Radios, Tzyh-Ghuang Ma, Student Member, and Shyh-Kang, Jeng, Senior Member, IEEE, IEEE Transactions on Antennas and Propagation, vol. 53, No. 3, Mar. 2005, pp. 1194-1202.
 Self-Mutual Admittances of Two Identical Circular Loop Antennas in a Conducting Medium and in Air, K. Iizuka, Senior Member, IEEE, R. W. P. King, Fellow, IEEE, and C. W. Harrison, Jr., Senior Member, IEEE, IEEE Transactions on Antennas and Propagation, vol. AP014, No. 4, Jul. 1966, pp. 440-450.
 A Broadband Eccentric Annular Slot Antenna, Young Hoon Suh and Ikmo Park, Department of Electrical Engineering, Ajou University, pp. 94-97, IEEE copyright notice 2001.
 A Printed Crescent Patch Antenna for Ultrawideband Applications, Ntsanderh C. Azenui an H.Y.D. Yang, IEEE Antennas and Wireless Propagation Letters, vol. 6, 2007, pp. 113-116.
 Design of Compact Components for Ultra Wideband Communication Front Ends, Marek Bialkowski, Amin Abbosh, and Hing Kan, School of Information Technology and Electrical Engineering, The University of Queensland, four pages.
 IEEE Spectrum: Antennas for the New Airwaves, <http://www.spectrum.ieee.org/print/7328>, Published Feb. 2009, 9 pages, Authors Richard Schneider and John Ross.
 Antenna Engineering Handbook, 3rd Edition, Edited by Richard C. Johnson, McGraw Hill, 1993, pp. 5-13 to 5-16.
 One-Element Loop Antenna with Finite Reflector, B. Rojarayanont and T. Sekiguchi, Electronics & Communications in Japan, vol. 59-B, No. 5, May 1976, p. 68.

* cited by examiner

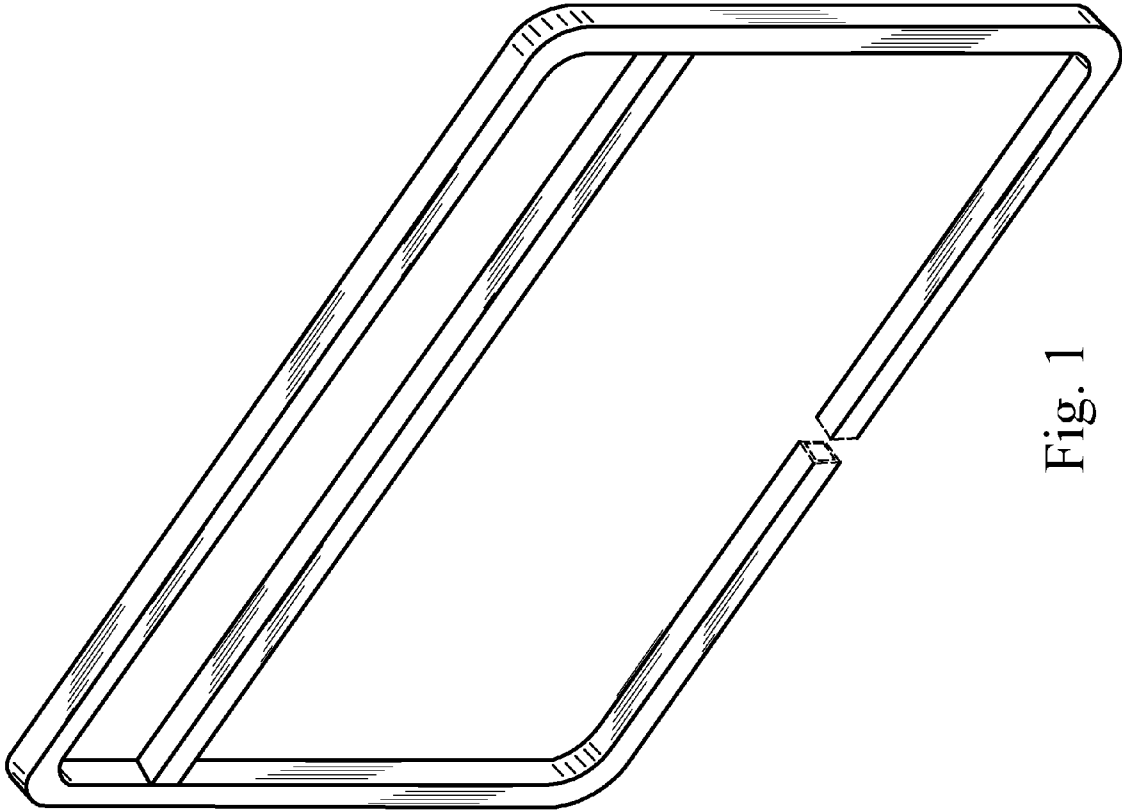


Fig. 1

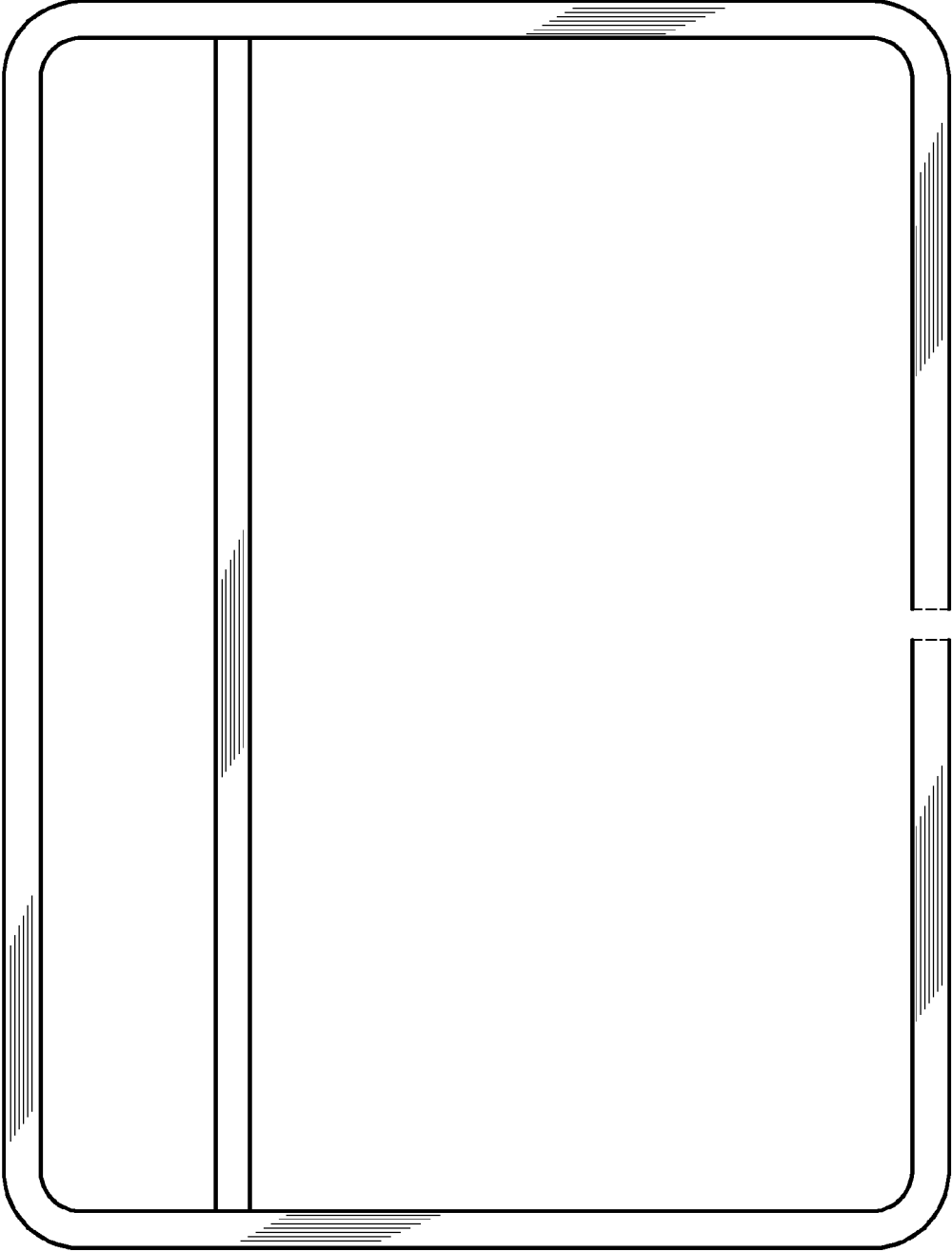


Fig. 2

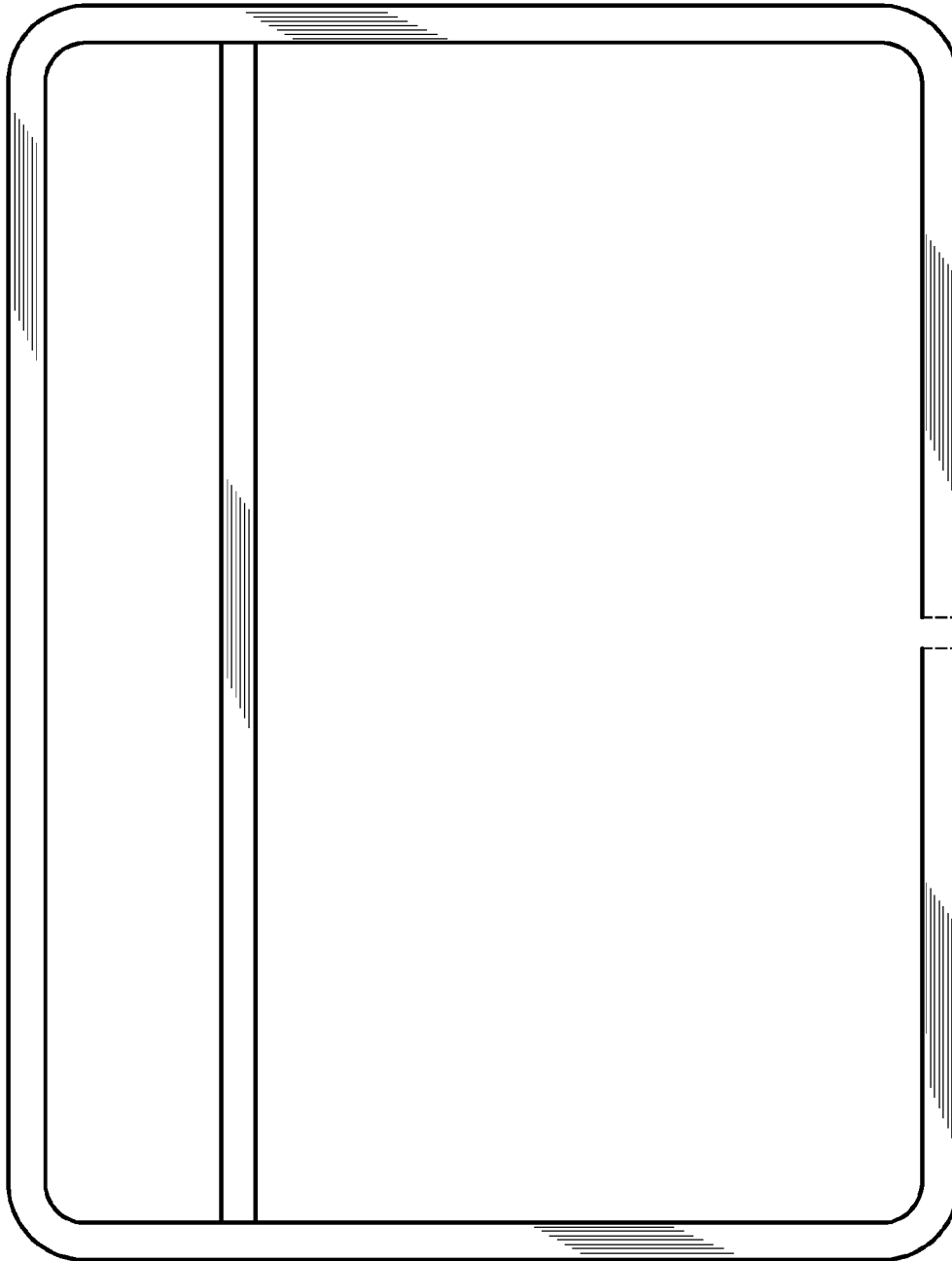


Fig. 3



Fig. 4



Fig. 5



Fig. 6



Fig. 7

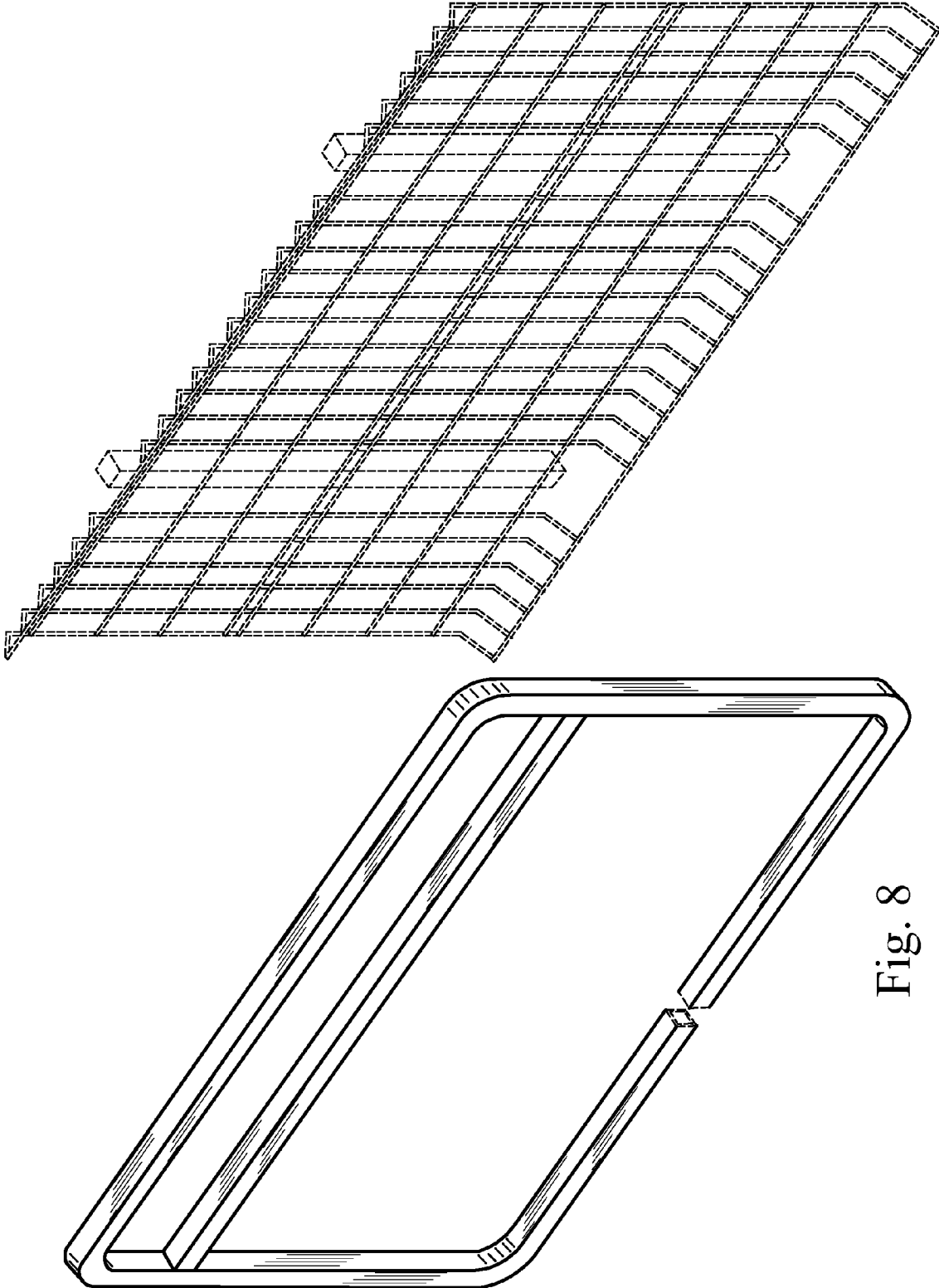


Fig. 8