



US00D666178S

(12) **United States Design Patent**
Schneider et al.

(10) **Patent No.:** **US D666,178 S**

(45) **Date of Patent:** **** Aug. 28, 2012**

(54) **ANTENNA**

(75) Inventors: **Richard E. Schneider**, Wildwood, MO (US); **John Edwin Ross, III**, Moab, UT (US); **Corey Feit**, St. Louis, MO (US); **Dale Picolet**, House Springs, MO (US)

(73) Assignee: **Antennas Direct, Inc.**, Ellisville, MO (US)

(**) Term: **14 Years**

(21) Appl. No.: **29/376,791**

(22) Filed: **Oct. 12, 2010**

Related U.S. Application Data

(63) Continuation of application No. 12/606,636, filed on Oct. 27, 2009, which is a continuation-in-part of application No. 12/050,133, filed on Mar. 17, 2008, now Pat. No. 7,609,222, application No. 29/376,791, which is a continuation-in-part of application No. 12/040,460, filed on Feb. 29, 2008, now Pat. No. 7,839,347.

(51) **LOC (9) Cl.** **14-03**

(52) **U.S. Cl.** **D14/230; D14/238**

(58) **Field of Classification Search** D14/138, D14/230-238, 299, 358; D12/42, 43; 343/700 MS, 343/700 R-705, 711-713, 735, 736, 741, 343/748, 767, 795, 819, 840, 846, 866, 871-908; 455/90.2, 90.3, 91, 128, 269, 344, 347, 562.1; 333/193, 195

See application file for complete search history.

(56) **References Cited**

U.S. PATENT DOCUMENTS

2,060,098 A * 11/1936 McLachlan 181/165
(Continued)

FOREIGN PATENT DOCUMENTS

CN ZL2008200072832 5/2009
(Continued)

OTHER PUBLICATIONS

European Supplementary Search Report and Opinion dated Oct. 7, 2010, issued by the European Patent Office for European Patent Application No. EP 08747115 (6 pages).

European Search Report dated Jan. 17, 2011, issued by the European Patent Office for European Patent Application No. EP 10193159.0 which is related to the instant application through a priority claim; (5 pages).

(Continued)

Primary Examiner — John Windmuller

(74) *Attorney, Agent, or Firm* — Harness, Dickey & Pierce, P.L.C.

(57) **CLAIM**

The ornamental design for an antenna, as shown and described.

DESCRIPTION

FIG. 1 is a front perspective view of the antenna, showing our new design, wherein the support is shown in a first configuration suitable for supporting the antenna on a horizontal surface;

FIG. 2 is a right elevation view of thereof;

FIG. 3 is a left elevation view thereof;

FIG. 4 is a front elevation view thereof;

FIG. 5 is a back elevation view thereof;

FIG. 6 is an upper back perspective view thereof;

FIG. 7 is a top plan view thereof;

FIG. 8 is a bottom plan view thereof;

FIG. 9 is another front perspective view of the antenna, wherein the support is shown in a second configuration suitable for supporting the antenna from a vertical surface;

FIG. 10 is a right elevation view of the antenna shown in FIG. 9;

FIG. 11 is a left elevation view of the antenna shown in FIG. 9;

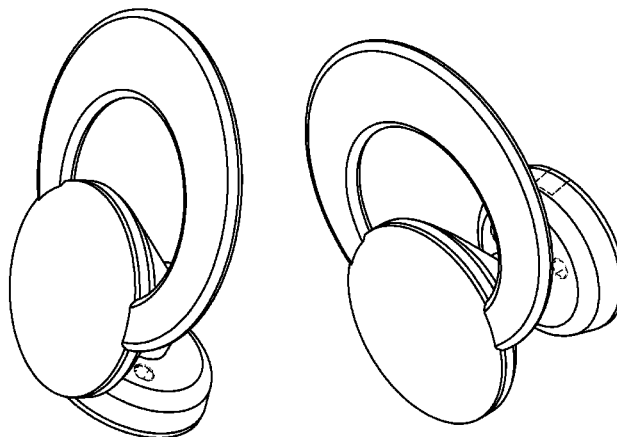
FIG. 12 is a front elevation view of the antenna shown in FIG. 9;

FIG. 13 is a back elevation view of the antenna shown in FIG. 9; and

FIG. 14 is a top plan view of the antenna shown in FIG. 9; and, FIG. 15 is a bottom plan view of the antenna shown in FIG. 9.

In the drawings, the broken lines depict environmental subject matter only for illustrative purposes and form no part of the claimed design. The dot-dash lines represent boundaries between claimed and unclaimed subject matter.

1 Claim, 15 Drawing Sheets



U.S. PATENT DOCUMENTS

2,220,008 A 10/1940 Woodward et al.
 2,437,251 A 3/1948 Frische et al.
 2,480,155 A 8/1949 Masters
 2,589,578 A 3/1952 Sabins
 D170,203 S 8/1953 Leonard
 D171,560 S 2/1954 Ritter
 D177,200 S 3/1956 Valiulis
 D179,111 S 11/1956 Ballan
 3,015,101 A 12/1961 Turner et al.
 3,123,826 A 3/1964 Durham
 3,239,838 A 3/1966 Kelleher
 3,273,158 A 9/1966 Fouts et al.
 D209,402 S 11/1967 Burlingame
 D211,025 S 5/1968 Callaghan
 3,434,145 A 3/1969 Wells
 3,721,990 A 3/1973 Gibson et al.
 3,828,867 A 8/1974 Elwood
 4,183,027 A 1/1980 Ehrenspeck
 4,184,163 A 1/1980 Woodward
 D310,671 S * 9/1990 Weiss D14/230
 D318,673 S 7/1991 Terk
 D327,690 S 7/1992 Ogawa et al.
 5,280,645 A 1/1994 Nguyen et al.
 D344,731 S 3/1994 Witzky
 5,313,218 A 5/1994 Busking
 D414,495 S 9/1999 Heiligenstein et al.
 D421,610 S * 3/2000 Ghalebi D14/235
 6,054,963 A 4/2000 Muterspaugh
 D449,593 S * 10/2001 Schultz D14/235
 6,590,541 B1 7/2003 Schultz
 6,593,886 B2 7/2003 Schantz
 D480,714 S * 10/2003 Wang D14/235
 6,680,708 B2 1/2004 Yamaki
 D501,468 S * 2/2005 Wang D14/235
 6,885,352 B2 4/2005 Lee et al.
 6,917,793 B2 * 7/2005 Wang 455/193.1
 7,091,925 B1 8/2006 Wang
 7,126,556 B1 * 10/2006 Wang 343/866
 7,209,089 B2 4/2007 Schantz
 D544,471 S 6/2007 Wang
 7,239,290 B2 7/2007 Poilasne et al.
 D558,189 S * 12/2007 Inoue D14/230
 D581,931 S * 12/2008 Pine D14/426
 D585,883 S * 2/2009 Kaneko D14/230
 D598,433 S 8/2009 Schneider et al.
 D598,434 S 8/2009 Schneider et al.
 7,609,222 B2 10/2009 Schneider et al.
 D604,276 S 11/2009 Schneider et al.
 D611,460 S * 3/2010 Chao D14/230
 7,693,570 B2 4/2010 Green et al.
 D624,531 S * 9/2010 Fleck et al. D14/230
 7,898,496 B2 3/2011 Olsen et al.
 2002/0158798 A1 10/2002 Chiang et al.
 2003/0071757 A1 4/2003 Yamaki
 2004/0090379 A1 5/2004 Fourdeux et al.
 2004/0090385 A1 5/2004 Green
 2004/0113841 A1 6/2004 Louzir et al.
 2004/0217912 A1 11/2004 Mohammadian
 2005/0088342 A1 4/2005 Parsche
 2005/0162332 A1 7/2005 Schantz
 2005/0259023 A1 * 11/2005 Wang 343/764
 2005/0280582 A1 12/2005 Powell et al.
 2006/0033665 A1 2/2006 Yang
 2006/0055618 A1 3/2006 Poilasne et al.
 2006/0077115 A1 4/2006 Oh et al.
 2006/0103577 A1 5/2006 Lee
 2006/0164304 A1 7/2006 Huang et al.
 2007/0069955 A1 3/2007 McCorkle
 2007/0200769 A1 8/2007 Nakano et al.
 2008/0094291 A1 4/2008 Bystrom et al.
 2008/0211720 A1 9/2008 Hansen
 2008/0258980 A1 10/2008 Chen et al.
 2008/0291345 A1 11/2008 Schneider
 2009/0058732 A1 3/2009 Nakano et al.
 2009/0073067 A1 3/2009 Soler Castany et al.
 2009/0146899 A1 6/2009 Schneider et al.
 2010/0045551 A1 2/2010 Schneider et al.

FOREIGN PATENT DOCUMENTS

CN ZL2008301199963 5/2009
 CN 101453057 A 6/2009
 CN ZL2008301199978 7/2009
 CN ZL2008300091398 9/2009
 EM 000946587 5/2008
 EP 1555717 7/2005
 EP 1653560 5/2006
 EP 1753080 2/2007
 GB 2263360 7/1993
 JP D1213590 6/2004
 TW M249233 11/2004
 TW D112283 8/2006
 TW D119092 9/2007
 TW 200926506 6/2009
 TW D129744 7/2009
 TW D129745 7/2009
 TW D129746 7/2009
 WO WO2009073249 6/2009

OTHER PUBLICATIONS

Nonfinal Office Action (dated May 25, 2011) from U.S. Appl. No. 12/953,007 which is also a continuation from the same U.S. patent application as the instant application, 6 pages.
 Notice of Allowance issued by the United States Patent and Trademark Office dated Jun. 14, 2011, from pending U.S. Appl. No. 12/953,007, which shares the same inventors as the instant application (7 pages).
 IEEE Spectrum: Antennas for the New Airwaves, <http://www.spectrum.ieee.org/print/7328>, Published Feb. 2009, 9 pages, Authors Richard Schneider and John Ross.
 Antenna Engineering Handbook, 3rd Edition, Edited by Richard C. Johnson, McGraw Hill, 1993, pp. 5-13 to 5-16.
 One-Element Loop Antenna with Finite Reflector, B. Rojarayanont and T. Sekiguchi, Electronics & Communications in Japan, vol. 59-B, No. 5, May 1976, p. 68.
 Frequency-and Time-Domain Modeling of Tapered Loop Antennas in Ultra-Wideband Radio Systems, Shiou-Li Chen and Shau-Gang Mao, Graduate Institute of Computer and Communication Engineering, pp. 179-182, IEEE copyright notice 2006.
 Planar Miniature Tapered-Slot-Fed Annular Slot Antennas for Ultrawide-Band Radios, Tzyh-Ghuang Ma, Student Member, and Shyh-Kang, Jeng, Senior Member, IEEE, IEEE Transactions on Antennas and Propagation, vol. 53, No. 3, Mar. 2005, pp. 1194-1202.
 Self-Mutual Admittances of Two Identical Circular Loop Antennas in a Conducting Medium and in Air, K. Iizuka, Senior Member, IEEE, R. W. P. King, Fellow, IEEE, and C. W. Harrison, Jr., Senior Member, IEEE, IEEE Transactions on Antennas and Propagation, vol. AP014, No. 4, Jul. 1966, pp. 440-450.
 A Broadband Eccentric Annular Slot Antenna, Young Hoon Suh and Ikmo Park, Department of Electrical Engineering, Ajou University, pp. 94-97, IEEE copyright notice 2001.
 A Printed Crescent Patch Antenna for Ultrawideband Applications, Ntsanderh C. Azenui an H.Y.D. Yang, IEEE Antennas and Wireless Propagation Letters, vol. 6, 2007, pp. 113-116.
 Design of Compact Components for Ultra Wideband Communication Front Ends, Marek Bialkowski, Amin Abbosh, and Hing Kan, School of Information Technology and Electrical Engineering, The University of Queensland, four pages.
 Non-final Office action from co-pending U.S. Appl. No. 12/040,464 (the parent application for the instant application); mail date Mar. 11, 2010; 18 pages.
 International Search Report dated Jul. 8, 2008, issued by the International Search Authority for related International Patent Application No. PCT/US2008/061908, 1 page.
 Written Opinion dated Jul. 8, 2008, issued by the International Search Authority for related International Patent Application No. PCT/US2008/061908, 8 pages.
 Non-final Office action from co-pending U.S. Appl. No. 12/040,464 (the parent application for the instant application); mail date Sep. 3, 2010; 6 pages.
 Notice of Allowance from co-pending U.S. Appl. No. 12/040,464 (the parent application for the instant application); mail date Sep. 22, 2010; 7 pages.

* cited by examiner

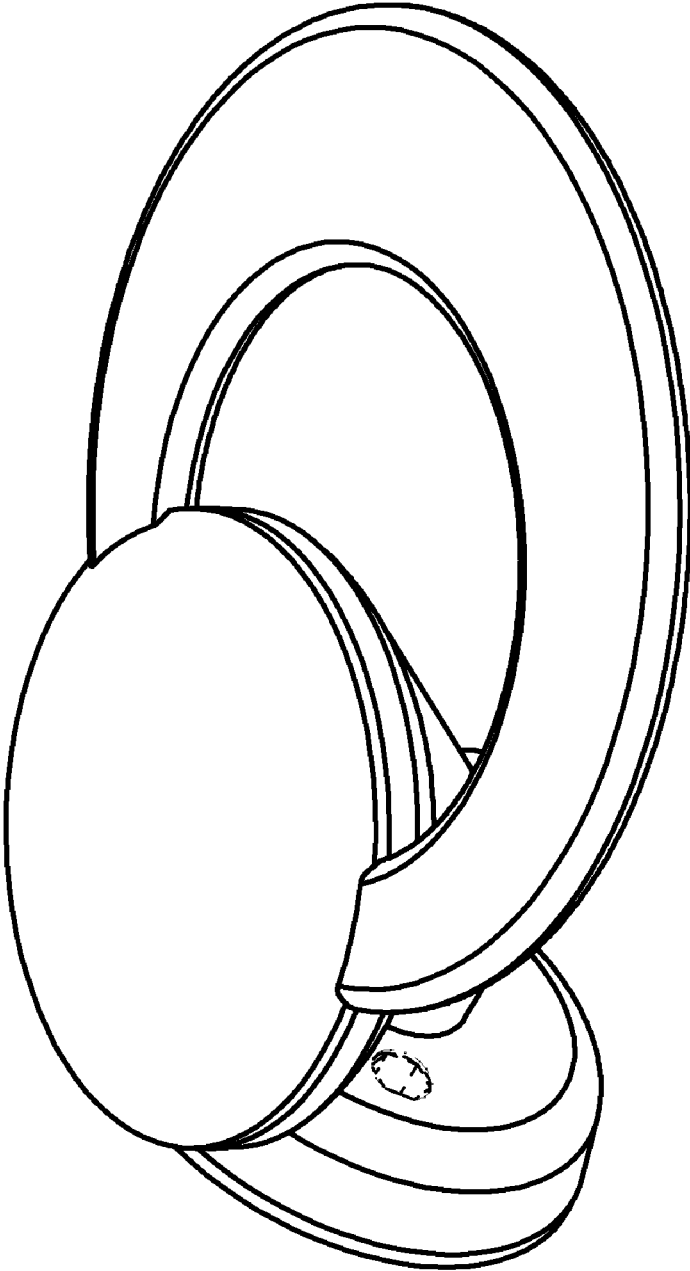


Fig. 1

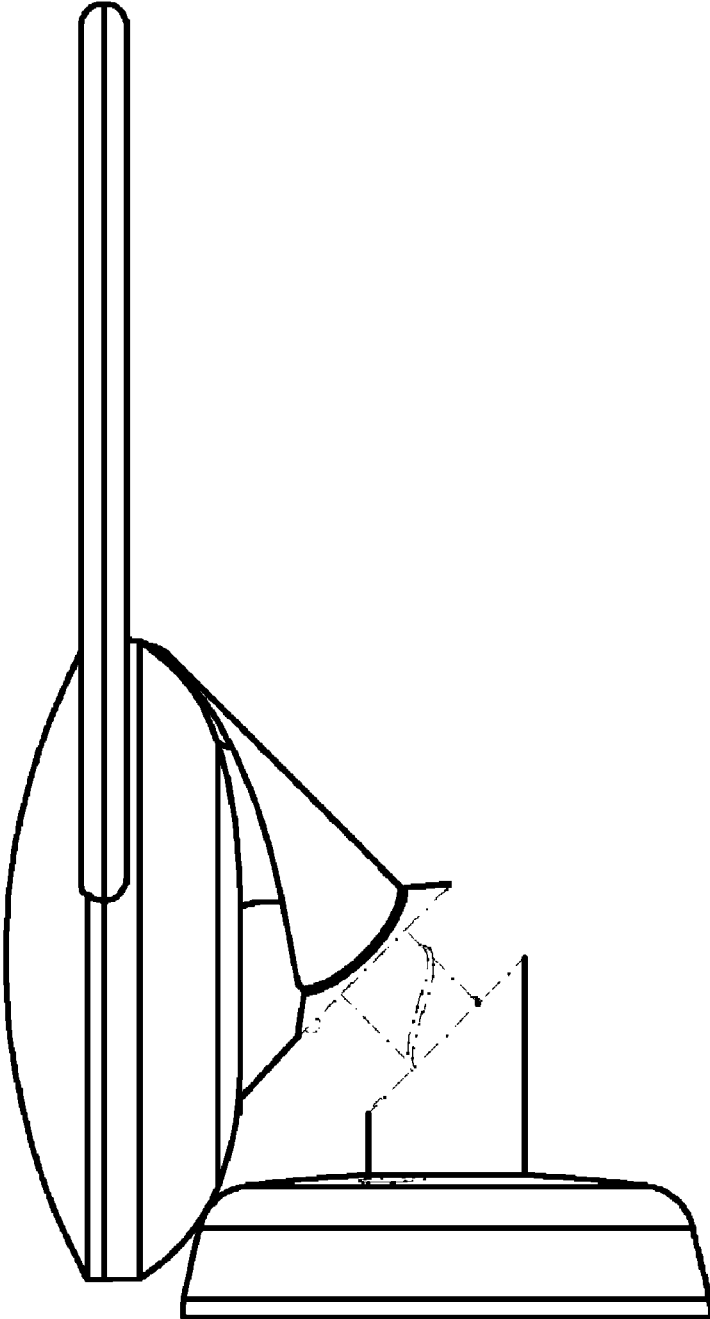


Fig. 2

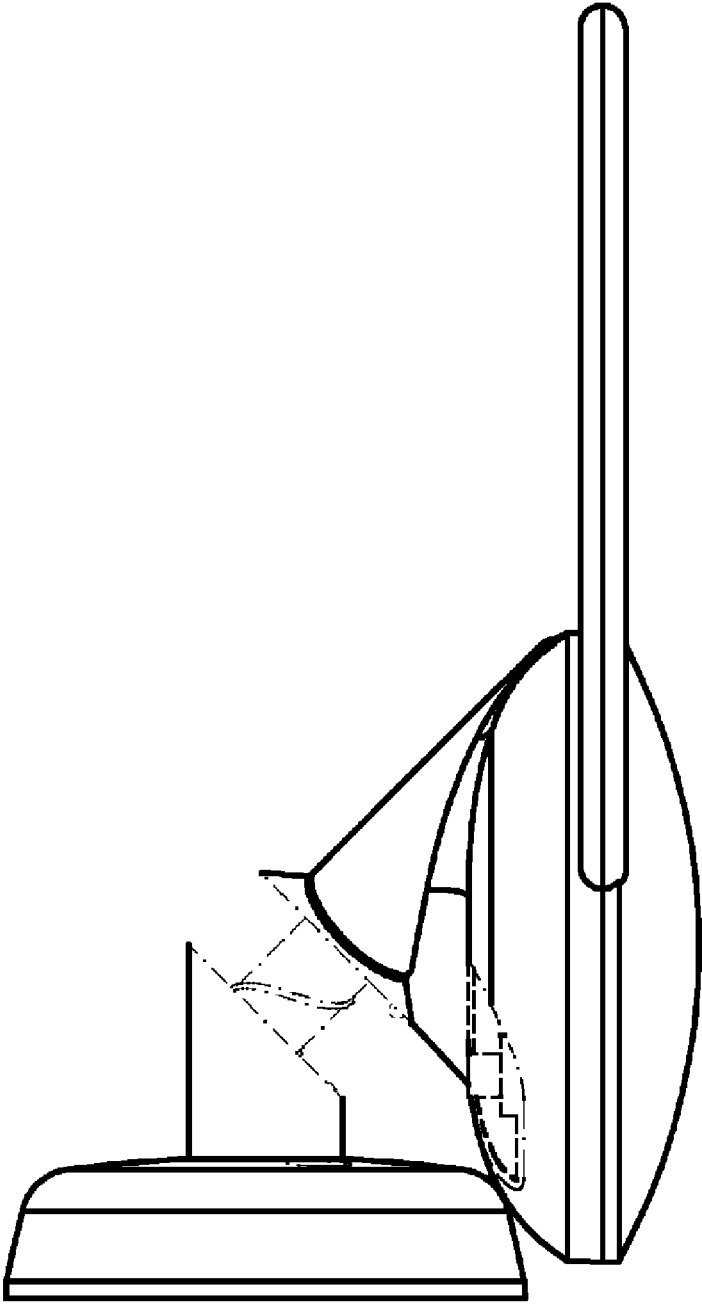


Fig. 3

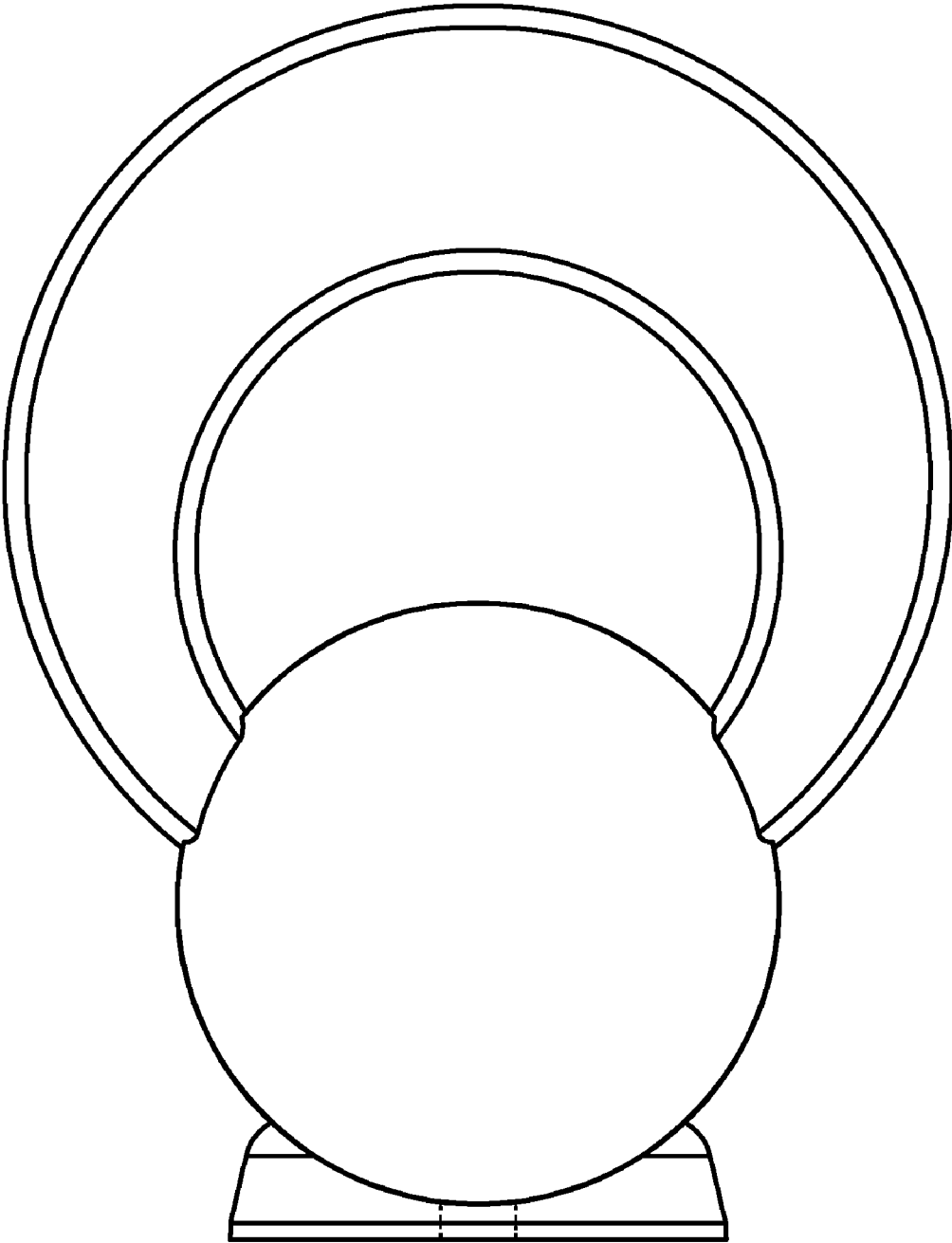


Fig. 4

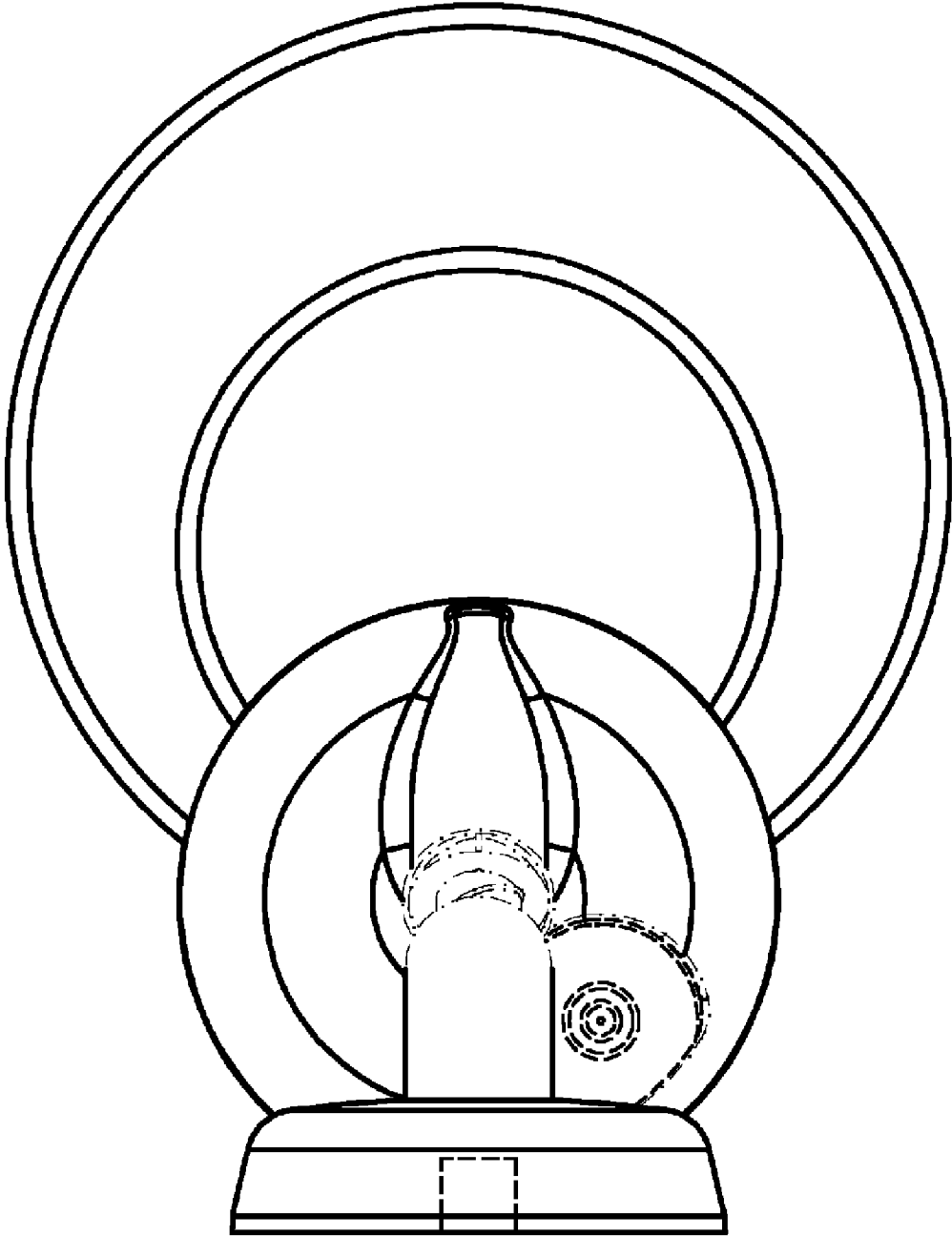


Fig. 5

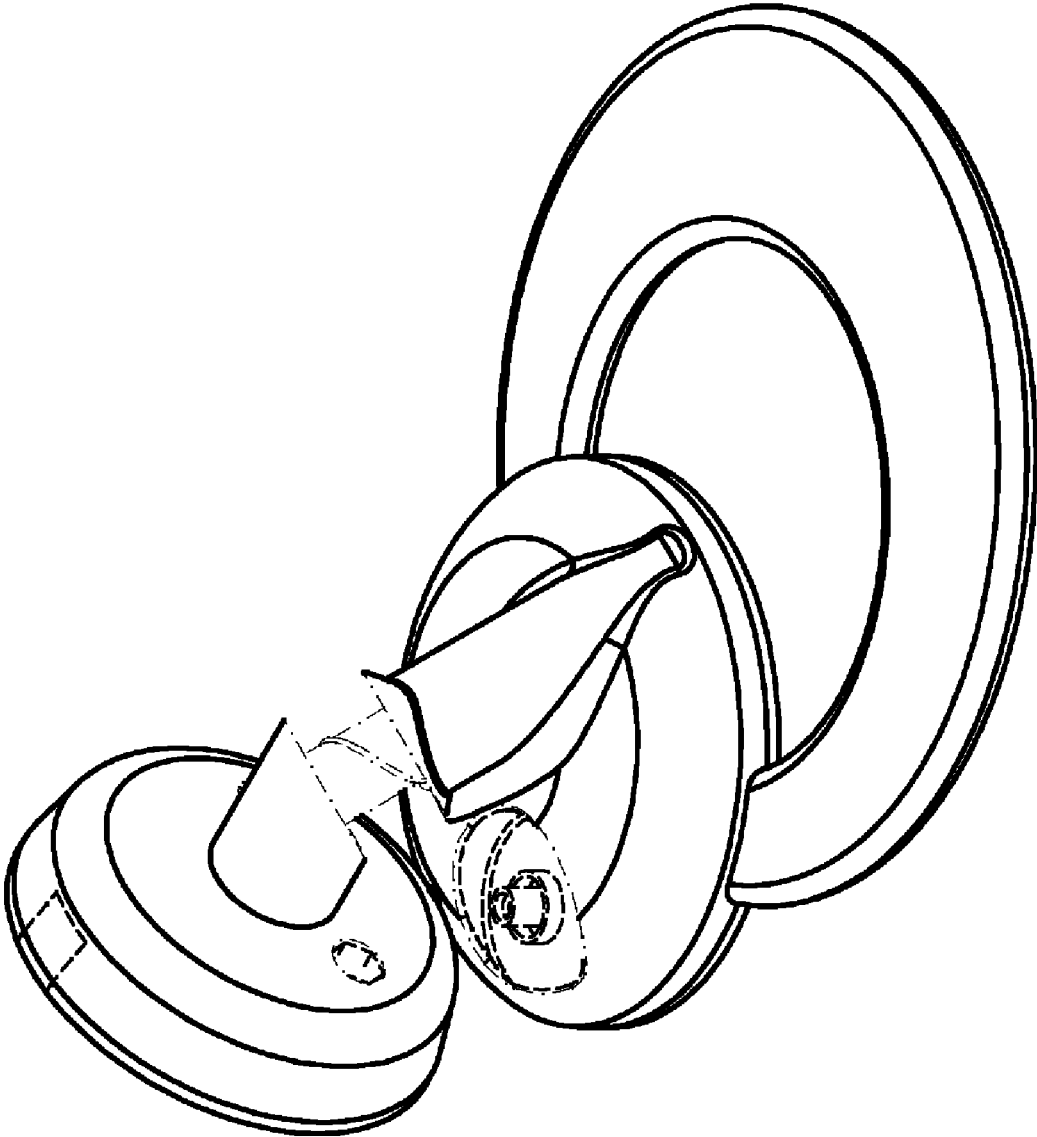


Fig. 6

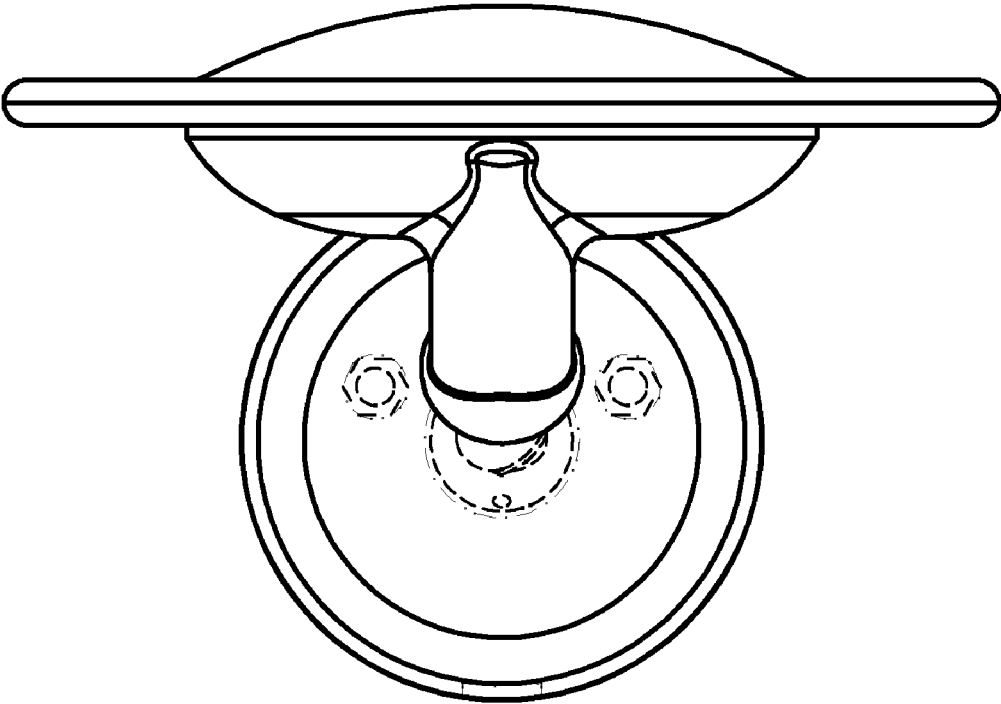


Fig. 7

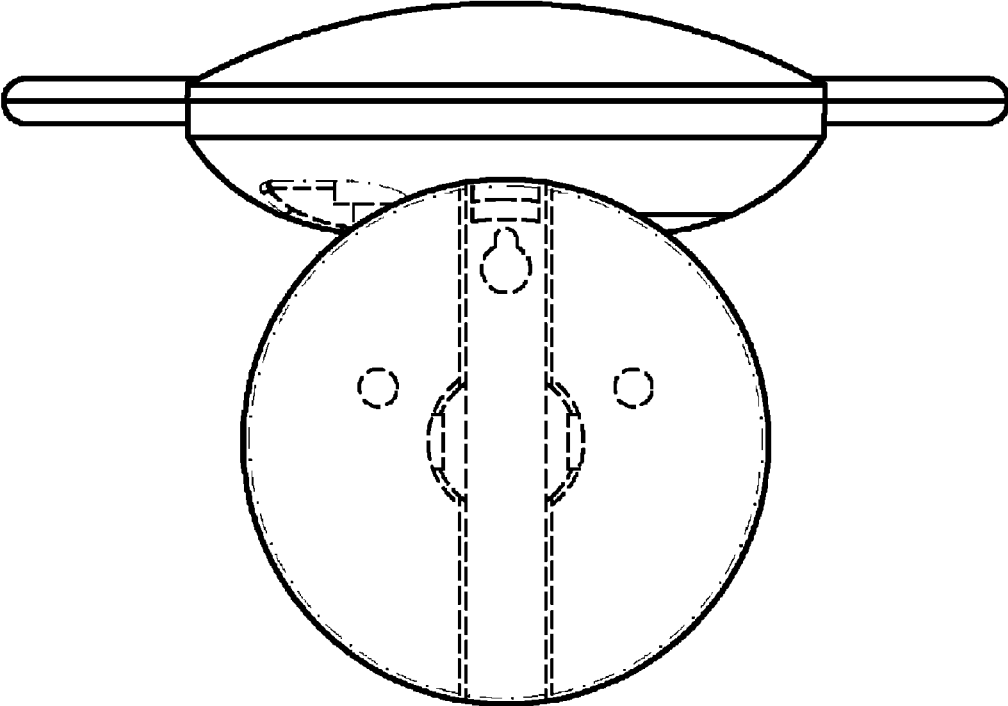


Fig. 8

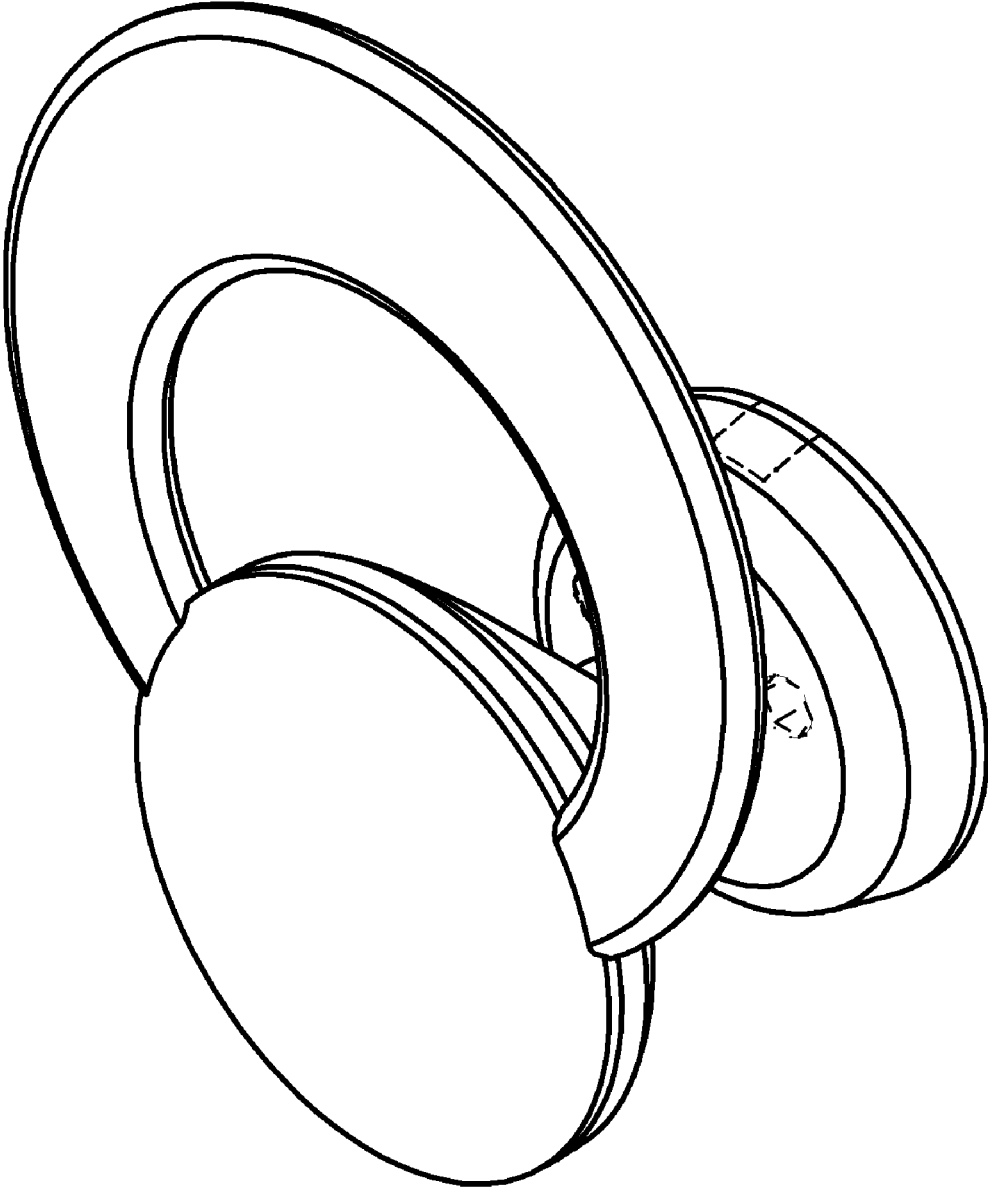


Fig. 9

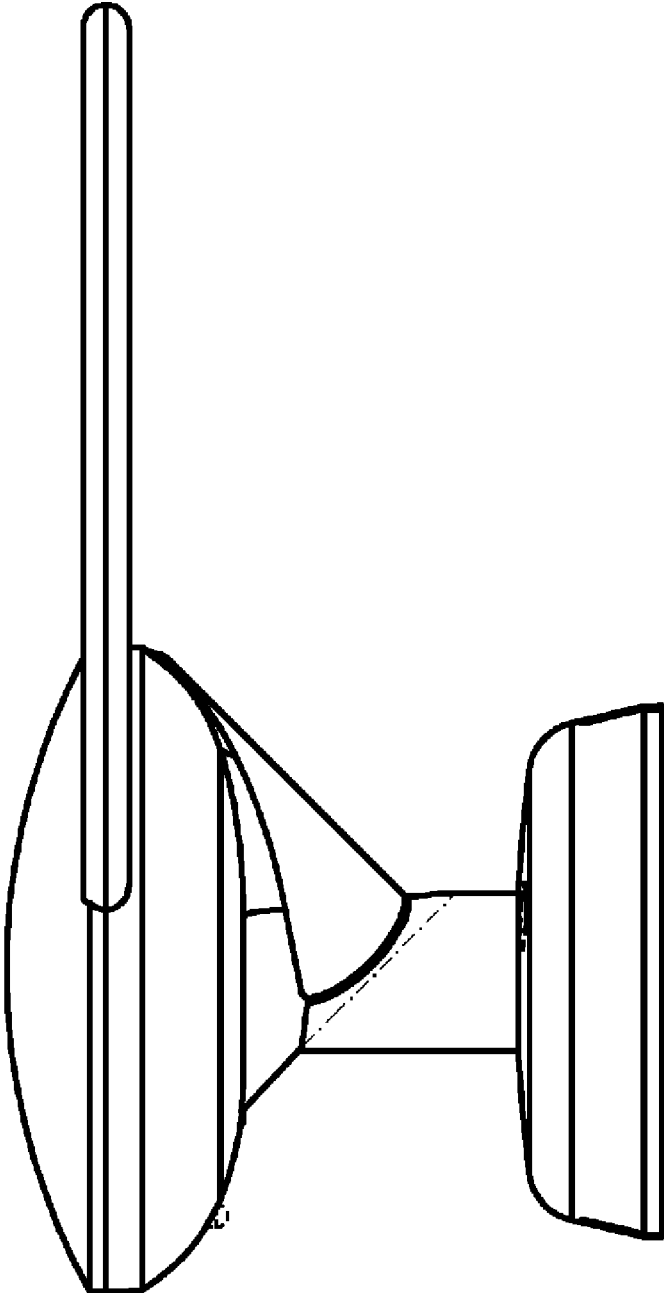


Fig. 10

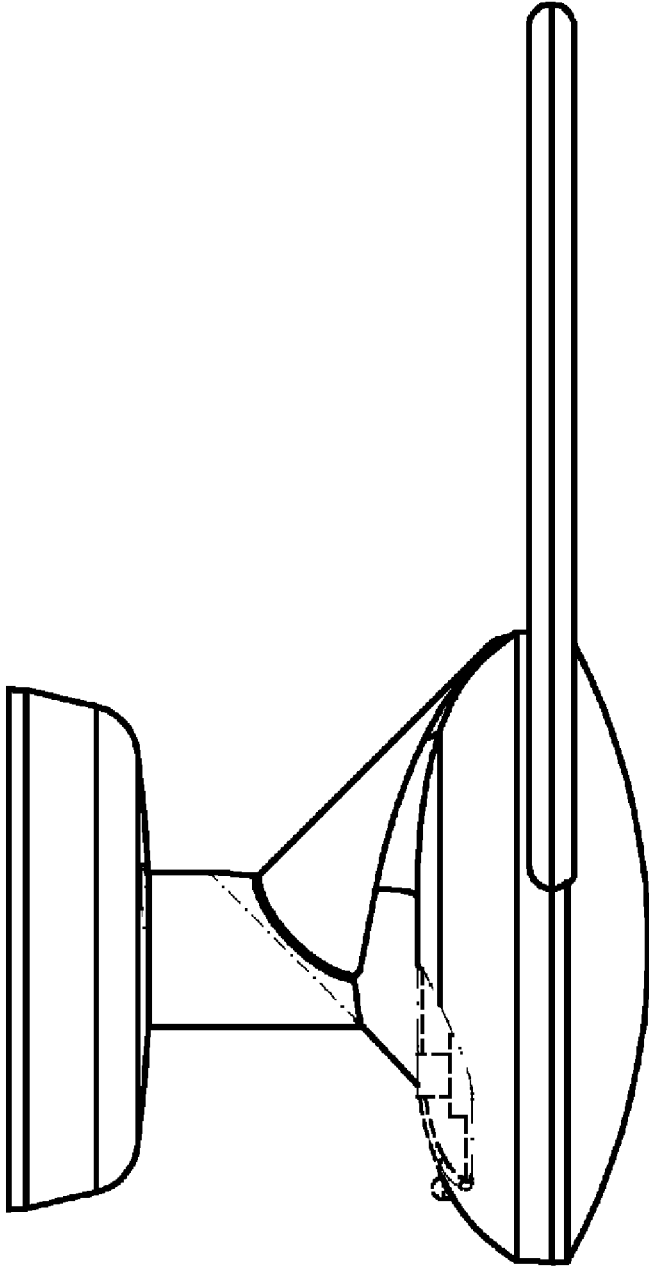


Fig. 11

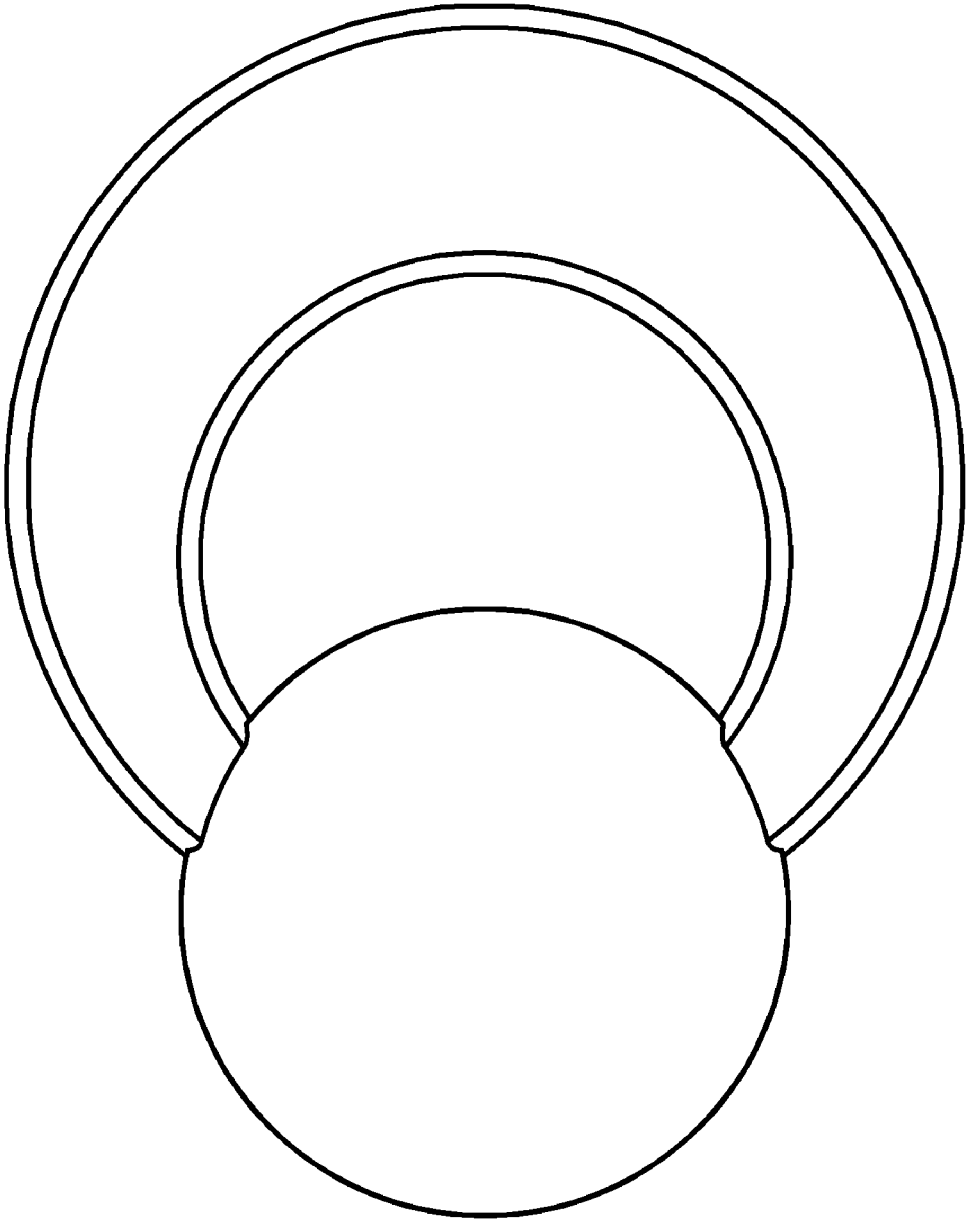


Fig. 12

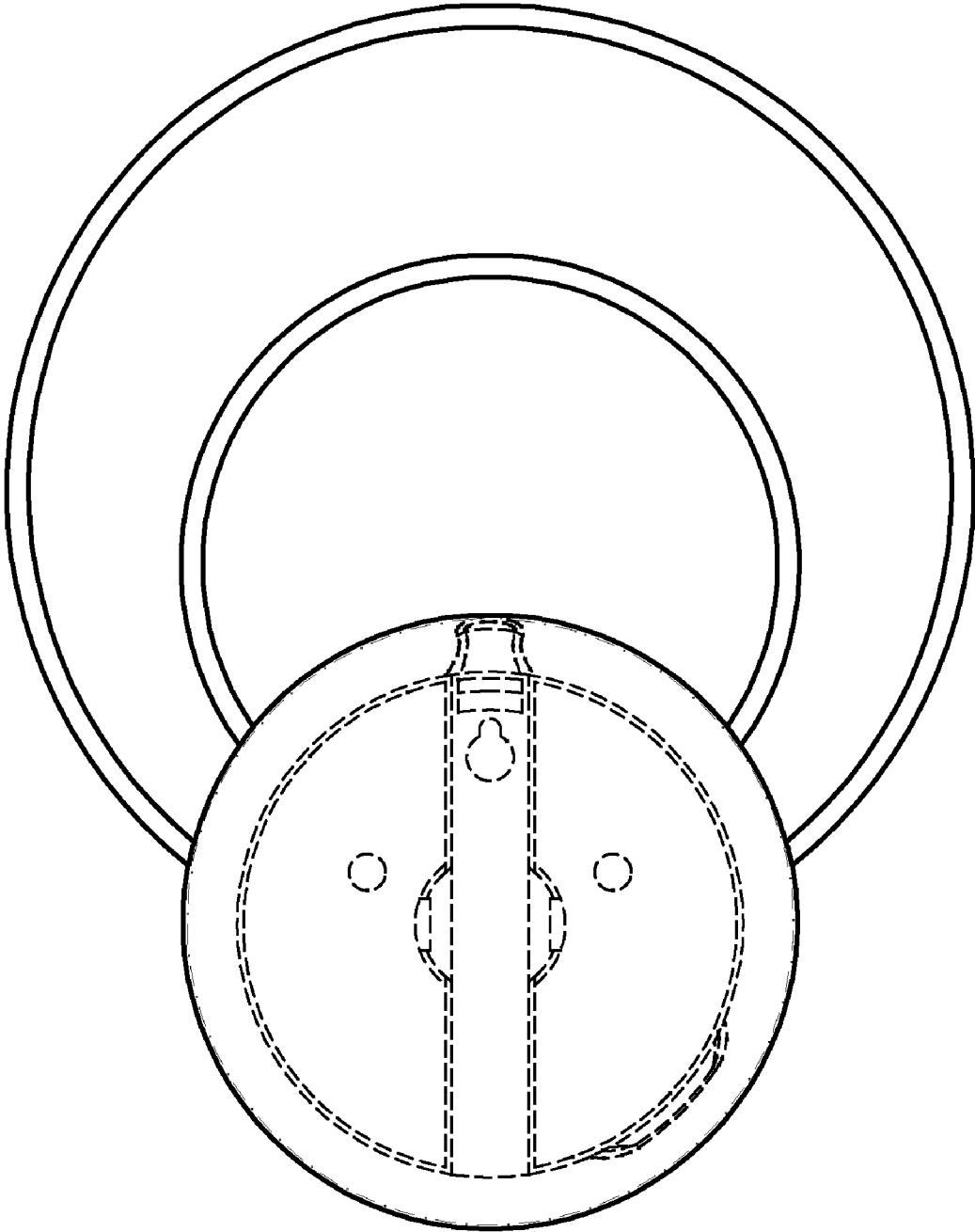


Fig. 13

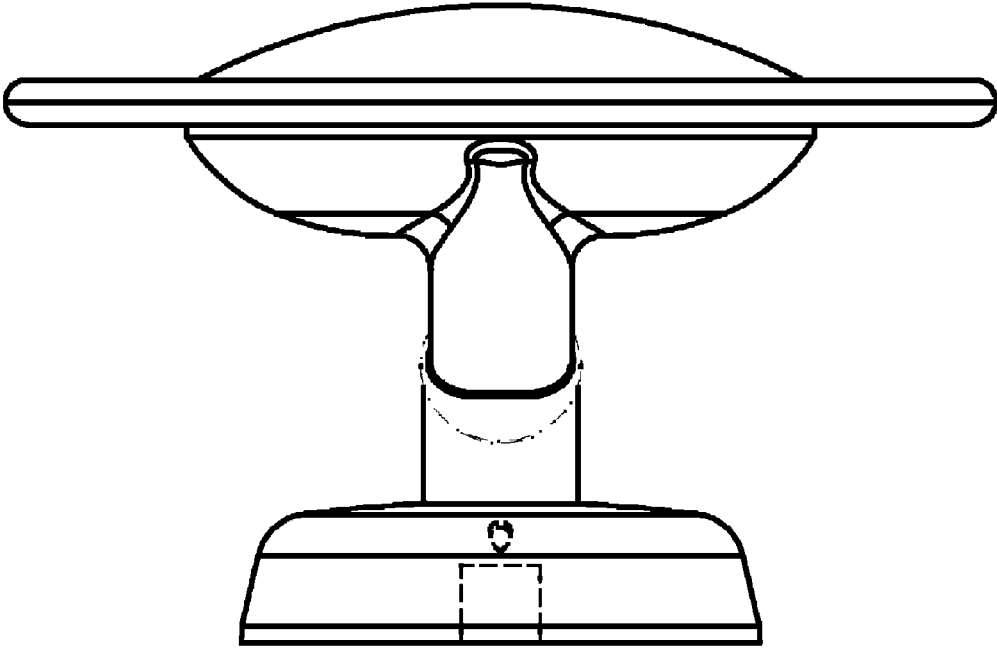


Fig. 14

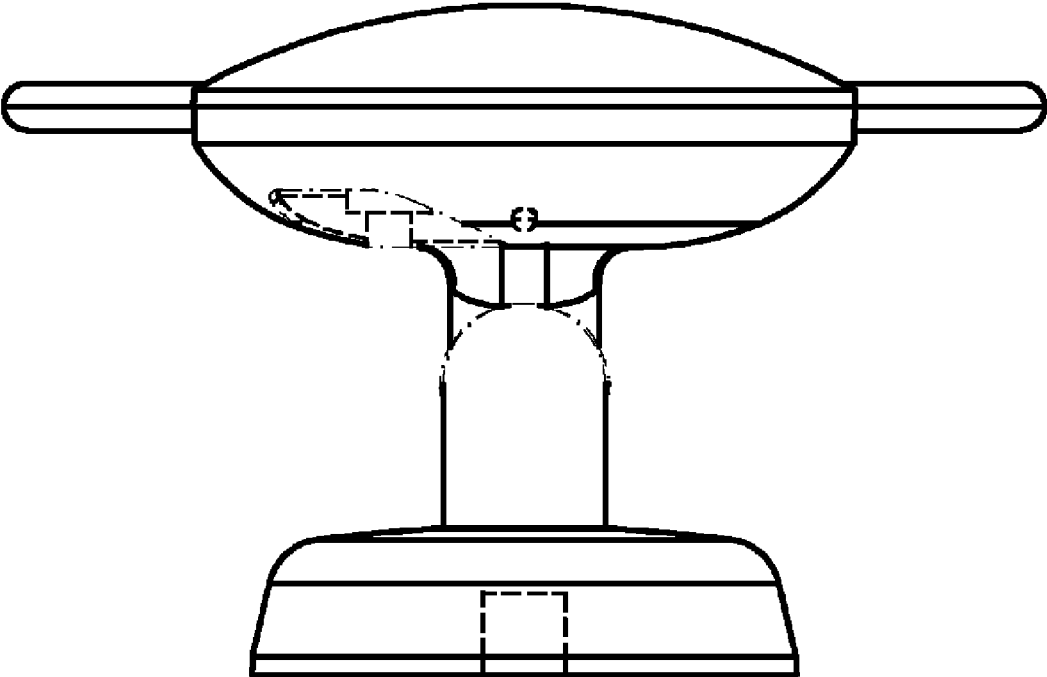


Fig. 15