



US00D809490S

(12) **United States Design Patent**
Feit et al.

(10) **Patent No.:** **US D809,490 S**
(45) **Date of Patent:** **** Feb. 6, 2018**

(54) **ANTENNA**

(71) Applicant: **Antennas Direct, Inc.**, Ellisville, MO (US)

(72) Inventors: **Corey Feit**, St. Louis, MO (US); **John Edwin Ross, III**, Moab, UT (US); **Richard E. Schneider**, Wildwood, MO (US)

(**) Term: **15 Years**

(21) Appl. No.: **29/580,049**

(22) Filed: **Oct. 5, 2016**

Related U.S. Application Data

(63) Continuation-in-part of application No. 14/308,422, filed on Jun. 18, 2014, now abandoned, and a continuation-in-part of application No. 29/430,632, filed on Aug. 28, 2012, now abandoned, which is a continuation-in-part of application No. 29/376,791, filed on Oct. 12, 2010, now Pat. No. Des. 666,178, said application No. 14/308,422 is a continuation-in-part of application No. 13/759,750, filed on Feb. 5, 2013, now Pat. No. 8,994,600, which is a continuation-in-part of application No. 12/606,636, filed on Oct. 27, 2009, now Pat. No. 8,368,607, which is a continuation-in-part of application No. 12/050,133, filed on Mar. 17, 2008, now Pat. No. 7,609,222, which is a continuation-in-part of application No. 29/304,423, (Continued)

(51) **LOC (11) Cl.** **14-03**

(52) **U.S. Cl.**
USPC **D14/230**

(58) **Field of Classification Search**
USPC D12/138, 230-238.1, 240, 299, 358;
D14/42, 43
CPC H01L 33/48; H01L 23/02; H01Q 7/00;
H01Q 13/10

See application file for complete search history.

(56) **References Cited**

U.S. PATENT DOCUMENTS

2,060,098 A 11/1936 Norman
2,220,008 A 10/1940 Woodward et al.
(Continued)

FOREIGN PATENT DOCUMENTS

CN 201243084 Y 5/2009
CN ZL2008200072832 5/2009
(Continued)

OTHER PUBLICATIONS

Notice of Allowance for design U.S. Appl. No. 29/587,280, filed Dec. 12, 2016 which claims priority to the same parent application as the instant application; dated Oct. 27, 2017, 10 pages.

Primary Examiner — John Windmuller
Assistant Examiner — Benjamin Weeks
(74) *Attorney, Agent, or Firm* — Harness, Dickey & Pierce, P.L.C.

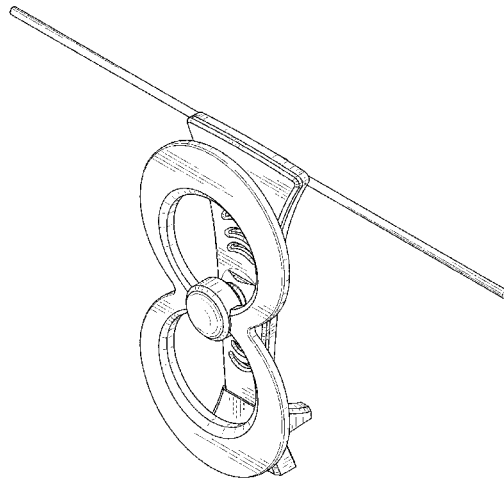
(57) **CLAIM**

The ornamental designs for an antenna, as shown and described.

DESCRIPTION

FIG. 1 is a perspective view of an antenna, showing our new design;
FIG. 2 is a back perspective view of the antenna shown in FIG. 1;
FIG. 3 is a front view of the antenna shown in FIG. 1;
FIG. 4 is a back view of the antenna shown in FIG. 1;
FIG. 5 is a right side view of the antenna shown in FIG. 1;
FIG. 6 is a left side view of the antenna shown in FIG. 1;
FIG. 7 is a top view of the antenna shown in FIG. 1; and,
FIG. 8 is a bottom view of the antenna shown in FIG. 1.

1 Claim, 6 Drawing Sheets



Related U.S. Application Data

filed on Feb. 29, 2008, now Pat. No. Des. 598,433, said application No. 12/606,636 is a continuation-in-part of application No. 12/040,464, filed on Feb. 29, 2008, now Pat. No. 7,839,347, said application No. 12/606,636 is a continuation-in-part of application No. 29/305,294, filed on Mar. 17, 2008, now Pat. No. Des. 604,276, which is a continuation-in-part of application No. 12/040,464, filed on Feb. 29, 2008, now Pat. No. 7,839,347, and a continuation-in-part of application No. 12/050,133, filed on Mar. 17, 2008, now Pat. No. 7,609,222, said application No. 12/606,636 is a continuation-in-part of application No. PCT/US2008/061908, filed on Apr. 29, 2008, and a continuation of application No. 12/040,464, filed on Feb. 29, 2008, now Pat. No. 7,839,347, and a continuation of application No. 12/050,133, filed on Mar. 17, 2008, now Pat. No. 7,609,222.

(56)

References Cited

U.S. PATENT DOCUMENTS

2,437,251 A 3/1948 Frische et al.
 2,480,155 A 8/1949 Masters
 2,589,578 A 3/1952 Sabins
 D170,203 S * 8/1953 Leonard D14/230
 D171,560 S 2/1954 Ritter
 D177,200 S 3/1956 Valiulis
 D179,111 S 11/1956 Ballan
 2,821,710 A 1/1958 Hale
 3,015,101 A 12/1961 Turner et al.
 3,123,826 A 3/1964 Durham
 3,161,975 A 12/1964 McMillan
 3,239,838 A 3/1966 Kelleher
 3,261,019 A 7/1966 Lundy
 3,273,158 A 9/1966 Fouts et al.
 D209,402 S 11/1967 Burlingame
 D211,025 S 5/1968 Callaghan
 3,434,145 A 3/1969 Wells
 3,521,284 A 7/1970 Strom et al.
 3,560,983 A 2/1971 Willie et al.
 3,587,105 A 6/1971 Neilson
 3,721,990 A 3/1973 Gibson et al.
 3,739,388 A 6/1973 Callaghan
 3,828,867 A 8/1974 Elwood
 3,971,031 A 7/1976 Burke
 4,183,027 A 1/1980 Ehrenspeck
 4,184,163 A 1/1980 Woodward
 4,418,427 A 11/1983 Muterspaugh
 D308,521 S * 6/1990 Lonczak D14/230
 D310,671 S 9/1990 Weiss
 4,987,424 A 1/1991 Tamura et al.
 D318,673 S 7/1991 Terk
 D327,690 S * 7/1992 Ogawa D14/230
 D332,262 S 1/1993 Borchardt
 5,280,645 A 1/1994 Nguyen et al.
 D344,731 S 3/1994 Witzky
 D345,982 S * 4/1994 Lucey D14/230
 5,313,218 A 5/1994 Busking
 5,943,025 A 8/1999 Benham et al.
 D414,495 S * 9/1999 Heiligenstein D14/230
 D421,610 S 3/2000 Ghalebi
 6,054,963 A 4/2000 Muterspaugh
 6,239,764 B1 5/2001 Timofeev et al.
 D449,593 S 10/2001 Schultz
 6,590,541 B1 7/2003 Schultze
 6,593,886 B2 7/2003 Schantz
 D480,714 S 10/2003 Wang
 6,680,708 B2 1/2004 Yamaki
 D501,468 S 2/2005 Wang
 6,885,352 B2 4/2005 Lee et al.
 6,917,793 B2 7/2005 Wang
 7,091,925 B1 8/2006 Wang

7,126,556 B1 10/2006 Wang
 7,209,089 B2 4/2007 Schantz
 D544,471 S 6/2007 Wang
 7,239,290 B2 7/2007 Poilasne et al.
 7,245,266 B1 7/2007 Szente et al.
 D558,189 S 12/2007 Inoue
 7,356,362 B2 * 4/2008 Chang H04R 1/1033
 379/430
 7,436,973 B2 * 10/2008 Liao H04R 1/1041
 381/370
 D581,931 S 12/2008 Pine
 D585,883 S 2/2009 Kaneko
 D598,433 S 8/2009 Schneider et al.
 D598,434 S 8/2009 Schneider et al.
 D598,469 S * 8/2009 Harris, Jr. D14/203.1
 7,609,222 B2 10/2009 Schneider et al.
 D604,276 S 11/2009 Schneider et al.
 D611,460 S 3/2010 Chao
 7,693,570 B2 4/2010 Green et al.
 D624,531 S 9/2010 Fleck et al.
 7,839,347 B2 11/2010 Schneider et al.
 7,839,351 B2 11/2010 Schadler et al.
 7,898,496 B2 3/2011 Olsen et al.
 D638,031 S * 5/2011 Lee D14/203.3
 7,936,311 B2 5/2011 Rowser et al.
 7,990,335 B2 8/2011 Schneider et al.
 D655,692 S * 3/2012 Silverman D14/217
 8,144,069 B2 3/2012 Sadowski et al.
 8,174,457 B1 5/2012 Lam
 D664,564 S * 7/2012 Gillett D14/203.3
 D666,178 S * 8/2012 Schneider D14/230
 8,368,607 B2 2/2013 Schneider et al.
 8,736,500 B1 5/2014 Lam
 D721,737 S * 1/2015 Ahn D14/240
 8,994,600 B2 3/2015 Schneider et al.
 2002/0158798 A1 10/2002 Chiang et al.
 2003/0071757 A1 4/2003 Yamaki
 2004/0090379 A1 5/2004 Fourdeux et al.
 2004/0090385 A1 5/2004 Green
 2004/0113841 A1 6/2004 Louzir et al.
 2004/0217912 A1 11/2004 Mohammadian
 2005/0088342 A1 4/2005 Parsche
 2005/0162332 A1 7/2005 Schantz
 2005/0259023 A1 11/2005 Wang
 2005/0280582 A1 12/2005 Powell et al.
 2006/0033665 A1 2/2006 Yang
 2006/0055618 A1 3/2006 Poilasne et al.
 2006/0077115 A1 4/2006 Oh et al.
 2006/0103577 A1 5/2006 Lee
 2006/0164304 A1 7/2006 Huang et al.
 2007/0069955 A1 3/2007 McCorkle
 2007/0200769 A1 8/2007 Nakano et al.
 2008/0040464 A1 2/2008 Chia
 2008/0094291 A1 4/2008 Bystrom et al.
 2008/0211720 A1 9/2008 Hansen
 2008/0258980 A1 10/2008 Chen et al.
 2008/0291345 A1 11/2008 Schneider
 2009/0058732 A1 3/2009 Nakano et al.
 2009/0073067 A1 3/2009 Soler Castany et al.
 2009/0146899 A1 6/2009 Schneider et al.
 2010/0085269 A1 4/2010 Sadowski et al.

FOREIGN PATENT DOCUMENTS

CN ZL2008301199963 5/2009
 CN 101453057 A 6/2009
 CN ZL2008301199978 7/2009
 CN ZL2008300091398 9/2009
 CN 203707328 U 7/2014
 EM 000946587 5/2008
 EP 1555717 A1 7/2005
 EP 1653560 A1 5/2006
 EP 1753080 A1 2/2007
 GB 2263360 A 7/1993
 JP D1213590 6/2004
 TW M249233 U 11/2004
 TW D112283 8/2006
 TW D119092 9/2007
 TW 200926506 A 6/2009

(56)

References Cited

FOREIGN PATENT DOCUMENTS

| | | |
|----|------------------|--------|
| TW | D129744 | 7/2009 |
| TW | D129745 | 7/2009 |
| TW | D129746 | 7/2009 |
| WO | WO-2009073249 A1 | 6/2009 |

* cited by examiner

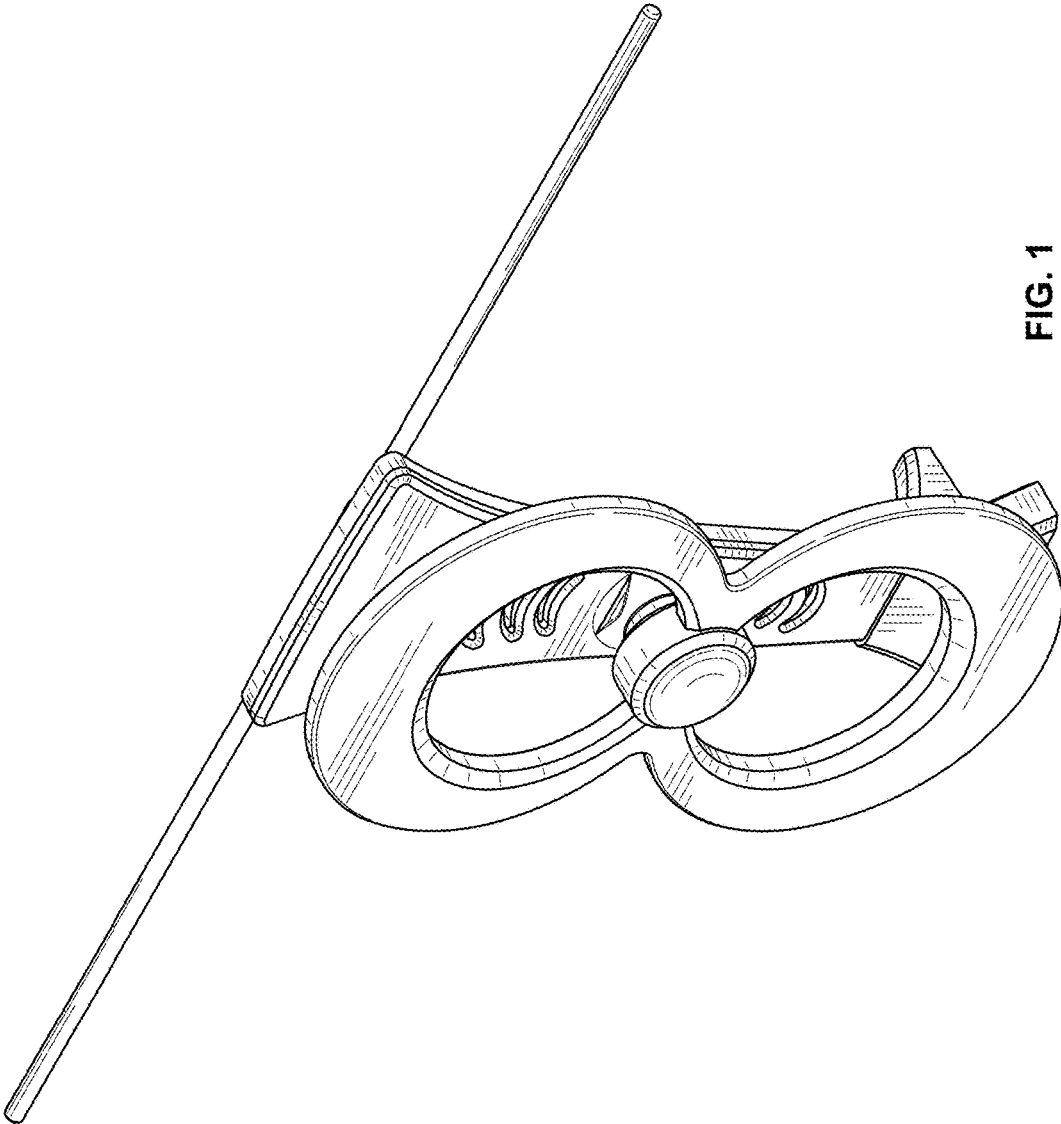


FIG. 1

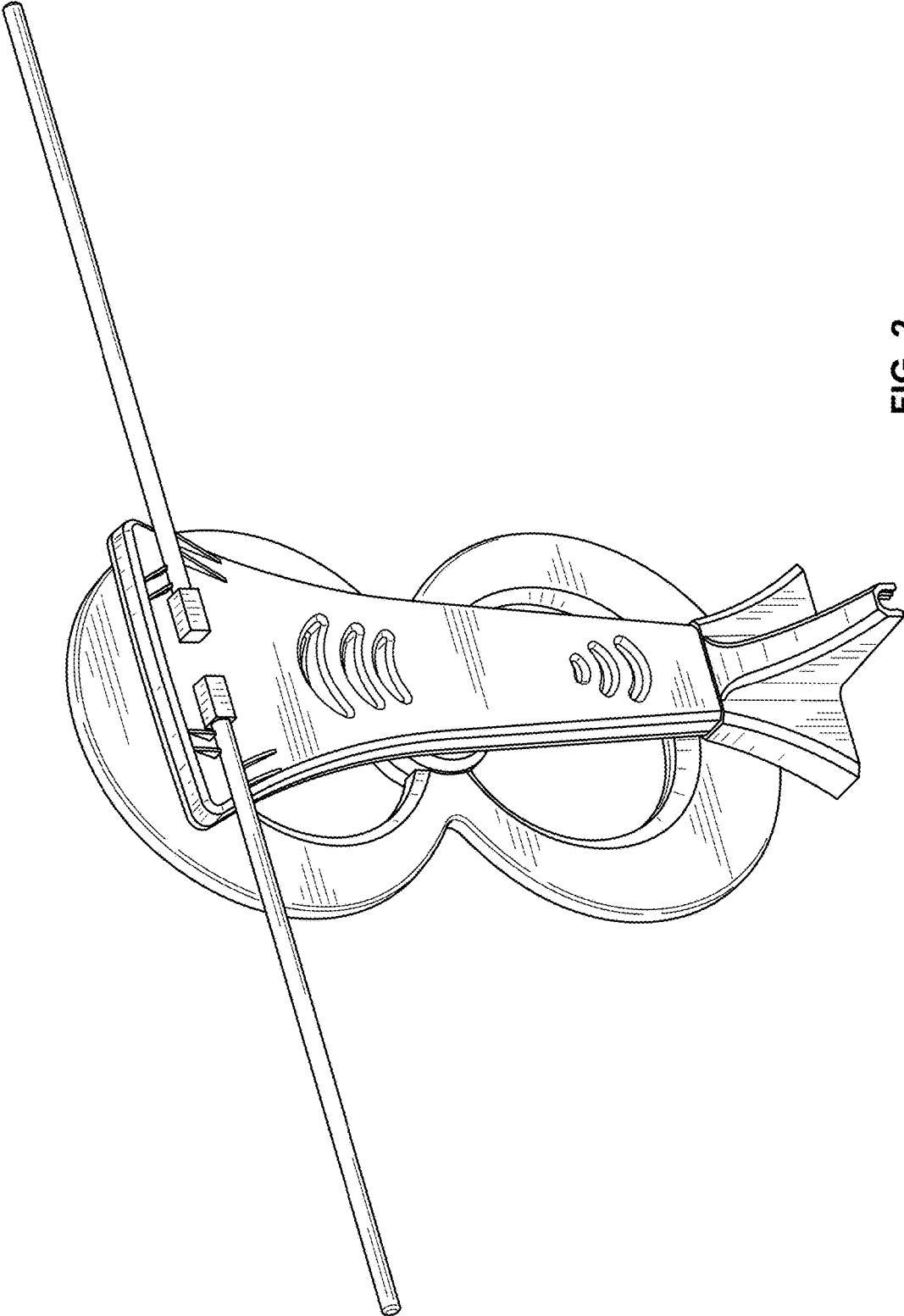


FIG. 2

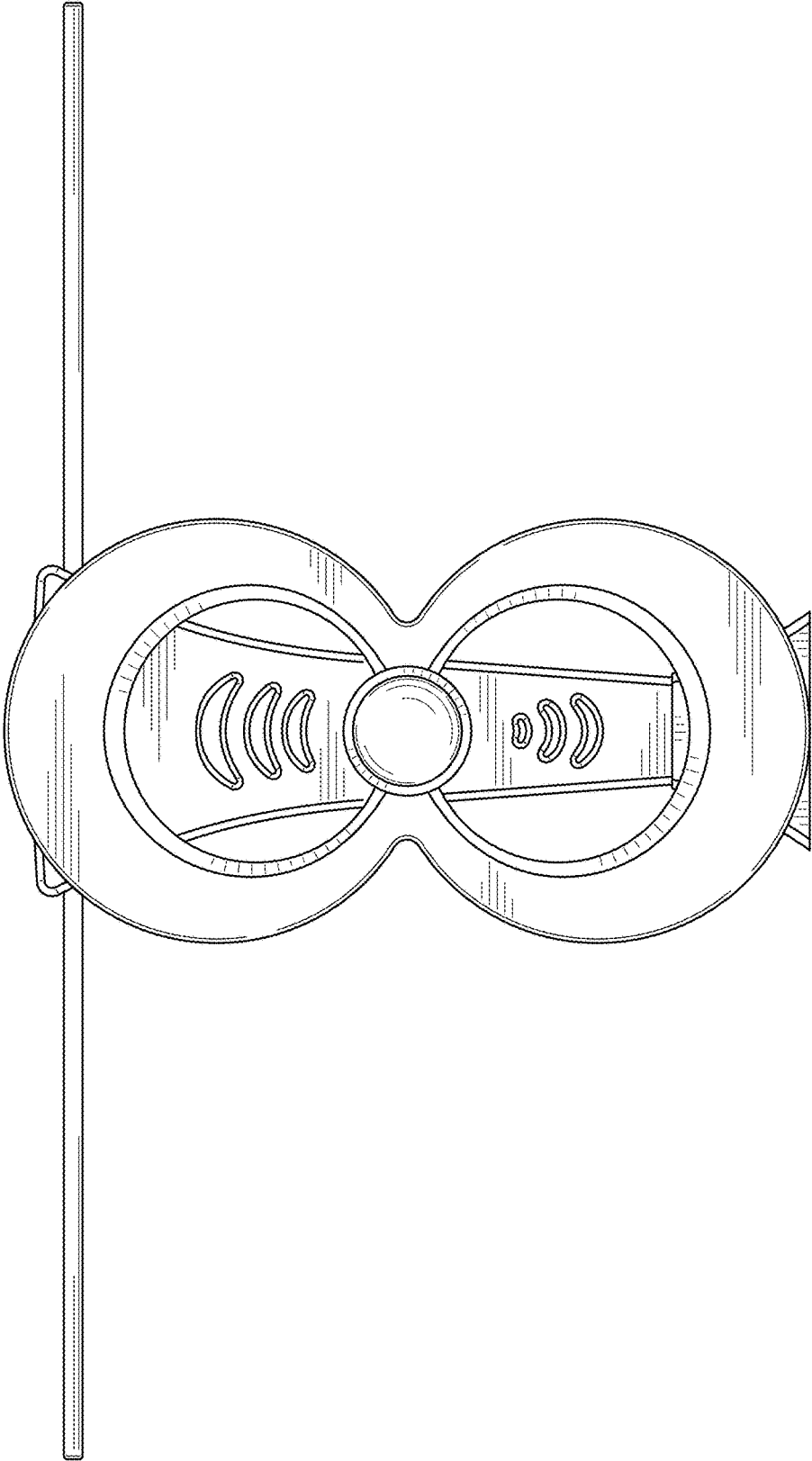


FIG. 3

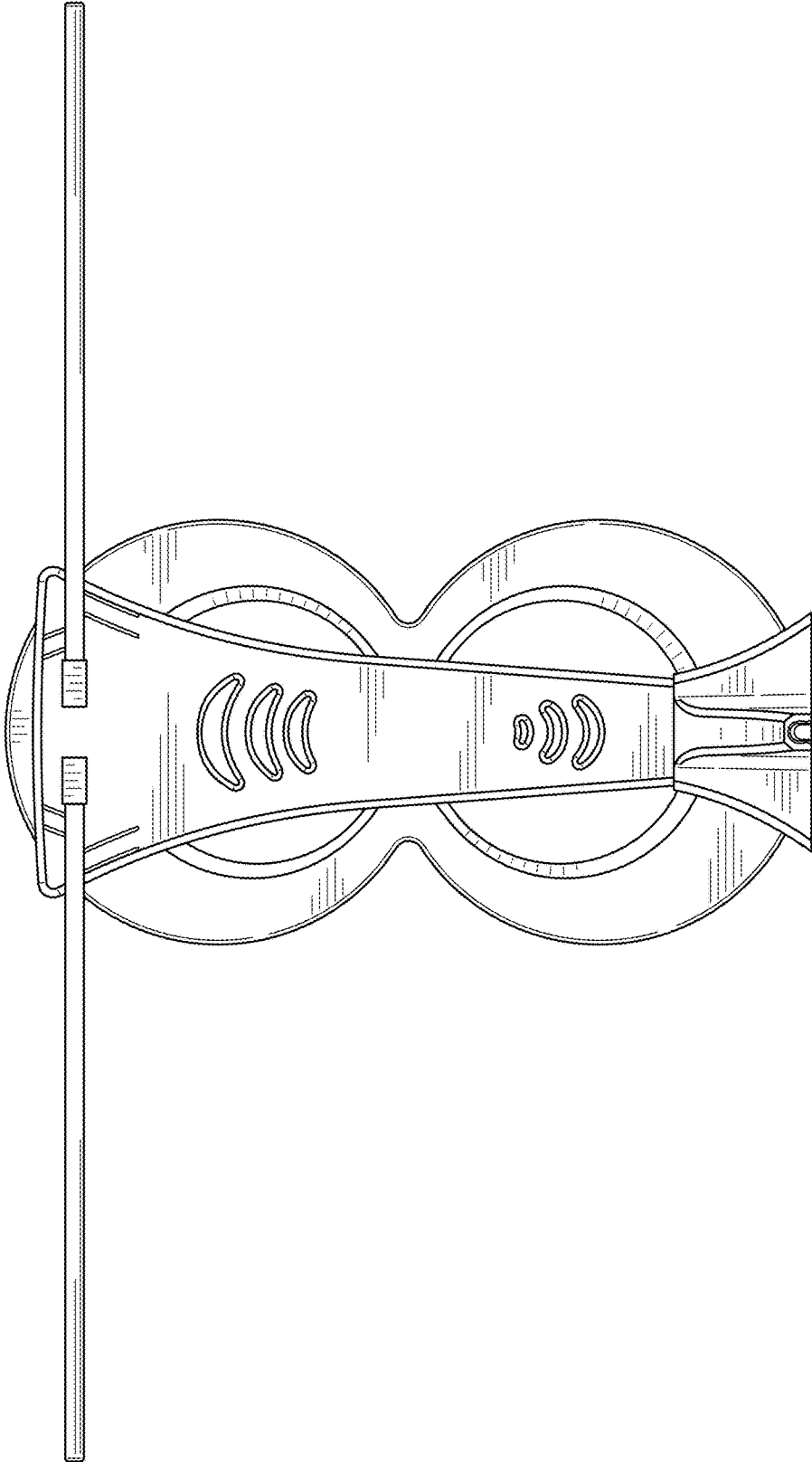


FIG. 4

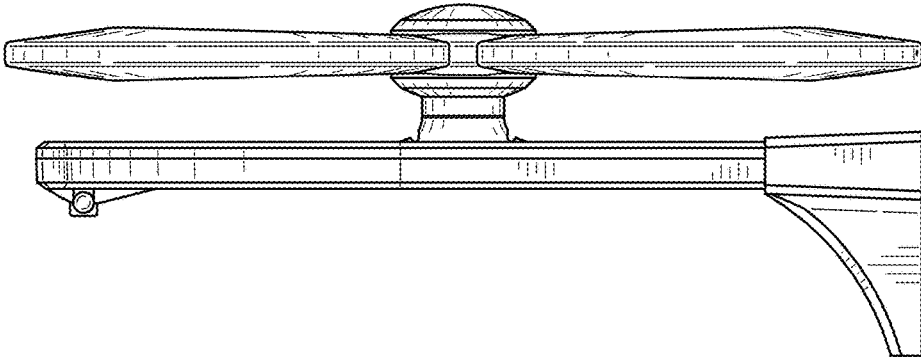


FIG. 6

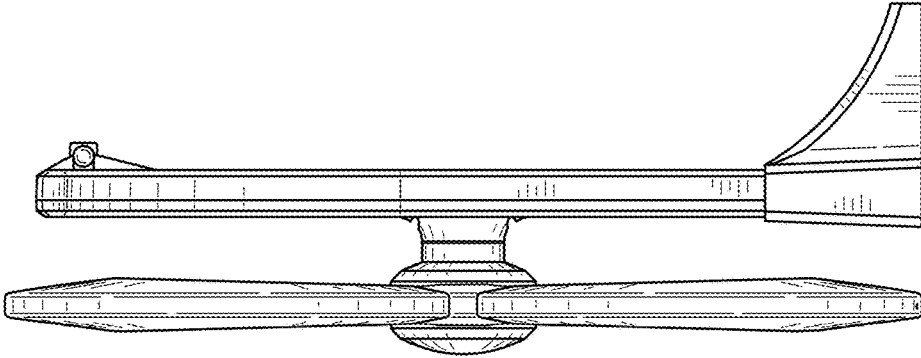


FIG. 5

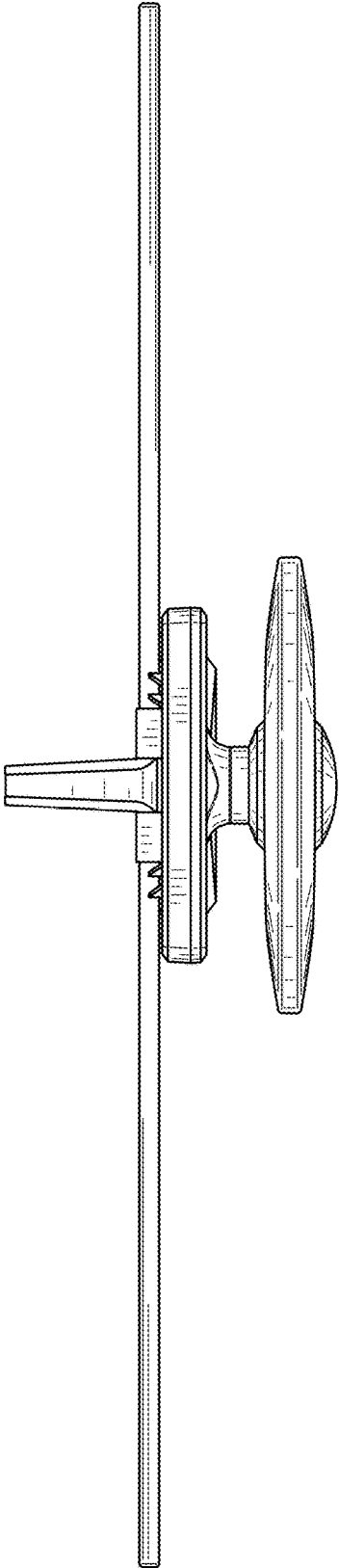


FIG. 7

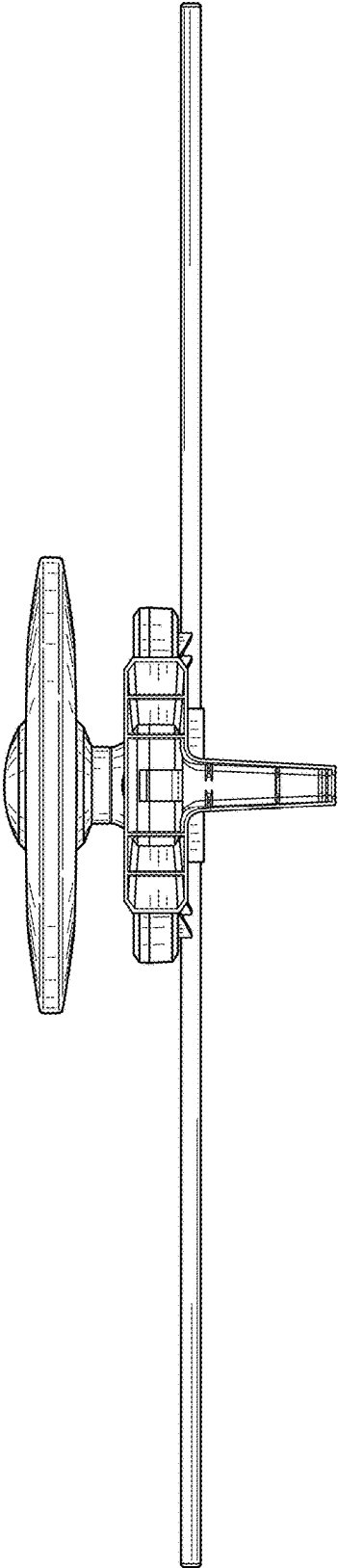


FIG. 8