



US00D811752S

(12) **United States Design Patent**
Ross, III et al.

(10) **Patent No.:** **US D811,752 S**
(45) **Date of Patent:** **** Mar. 6, 2018**

- (54) **PICTURE FRAME ANTENNA**
- (71) Applicant: **Antennas Direct, Inc.**, Ellisville, MO (US)
- (72) Inventors: **John Edwin Ross, III**, Moab, UT (US); **Joanne Nosiglia**, Eureka, MO (US); **Christine Hand**, St. Louis, MO (US)
- (**) Term: **15 Years**
- (21) Appl. No.: **29/587,310**
- (22) Filed: **Dec. 12, 2016**

D244,771 S * 6/1977 Bott D12/193
 D269,838 S * 7/1983 Altonaga D25/119
 D282,355 S * 1/1986 Hartzell D11/132
 (Continued)

OTHER PUBLICATIONS

Notice of Allowance dated Apr. 13, 2017 for U.S. Appl. No. 14/878,504, filed Oct. 8, 2015, (published as US20170062919 on Mar. 2, 2017) which is the parent application to the instant application, 10 pages.

(Continued)

Primary Examiner — Deanna L Pratt
(74) *Attorney, Agent, or Firm* — Harness, Dickey & Pierce, P.L.C.

(57) **CLAIM**

The ornamental design for a picture frame antenna, as shown and described.

DESCRIPTION

FIG. 1 is a perspective view of the picture frame antenna, showing our new design;
 FIG. 2 is a back perspective view thereof;
 FIG. 3 is a front elevation view thereof;
 FIG. 4 is a back elevation thereof;
 FIG. 5 is a right elevation view thereof;
 FIG. 6 is a left elevation view thereof.
 FIG. 7 is a bottom plan view thereof;
 FIG. 8 is a top plan view thereof; and,
 FIG. 9 is an exploded perspective view thereof showing an exemplary antenna element in broken lines that may be coupled to an inner surface of the back plate and disposed within an interior defined by the picture frame antenna. In the drawings, the details shown in broken lines depict environmental subject matter only and form no part of the claimed design. Accordingly, the antenna element, coaxial cable, and four sliding features adjacent the four corners of the back plate for holding the back plate in place are shown in broken lines as they form no part of the claimed design.

1 Claim, 6 Drawing Sheets

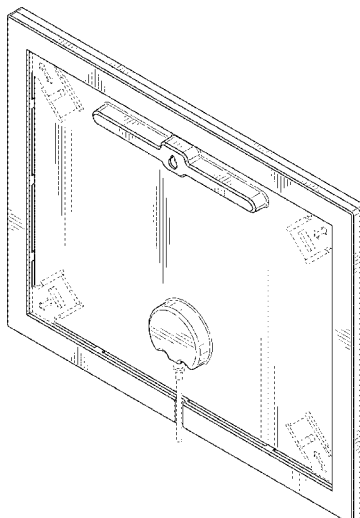
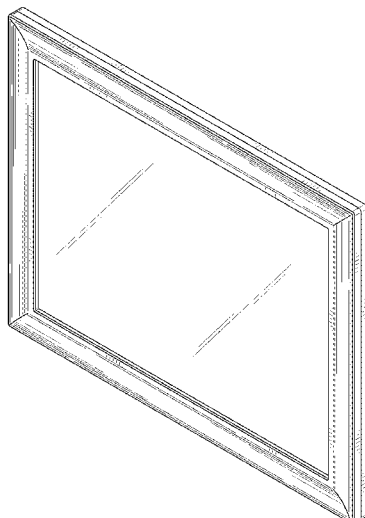
Related U.S. Application Data

- (63) Continuation-in-part of application No. 14/878,504, filed on Oct. 8, 2015, now Pat. No. 9,761,935, which is a continuation-in-part of application No. 15/277,362, filed on Sep. 27, 2016.
- (51) **LOC (11) Cl.** **06-07**
- (52) **U.S. Cl.** **D6/300; D14/230**
USPC
- (58) **Field of Classification Search**
USPC D6/300–314; D14/448, 450, 239, 230
CPC A47G 1/06; A47G 1/0605; A47G 1/0627;
A47G 1/0638; A47G 1/14; A47G 1/141;
A47G 1/142; A47G 1/10; A47G 1/0633
See application file for complete search history.

References Cited

U.S. PATENT DOCUMENTS

- | | | | |
|---------------|---------|-------------|-----------|
| 2,551,664 A | 5/1951 | Galper | |
| D168,325 S * | 12/1952 | Abrams | D6/300 |
| 3,161,975 A * | 12/1964 | McMillan | A47G 1/06 |
| | | | 40/718 |
| D205,771 S * | 9/1966 | Spiselman | D6/311 |
| D213,882 S * | 4/1969 | Sonnenblick | D6/300 |



(56)

References Cited

U.S. PATENT DOCUMENTS

D312,923 S * 12/1990 Bleazard D6/300
 D324,780 S * 3/1992 Sebesta D6/300
 D358,037 S * 5/1995 Monroe D6/300
 D366,764 S * 2/1996 Hunt D6/300
 D396,350 S * 7/1998 Panzenhagen D6/300
 D405,473 S * 2/1999 Tikhonski D20/10
 D452,995 S * 1/2002 Barry D6/300
 D480,221 S * 10/2003 Luciano D6/300
 D481,544 S * 11/2003 Di Leggerini D6/300
 D504,687 S * 5/2005 Lee D14/374
 D509,072 S * 9/2005 Babich D6/300
 D510,101 S * 9/2005 Bushey D19/1
 D519,117 S * 4/2006 Lewis D14/374
 D524,555 S * 7/2006 Mohundro D6/300
 D527,193 S * 8/2006 Park D6/300
 D532,823 S * 11/2006 Pena Angarita D19/113
 D542,543 S * 5/2007 Bruce D6/300
 D548,981 S * 8/2007 Ernetoft D6/300
 D575,531 S * 8/2008 Paterson D6/300

D585,883 S * 2/2009 Kaneko D14/230
 D638,631 S * 5/2011 Parisi D6/300
 D654,274 S * 2/2012 Krawczyk D6/300
 D666,619 S * 9/2012 May D14/447
 D677,474 S * 3/2013 Harris D6/310
 D719,744 S * 12/2014 Plumbo D6/300
 D719,746 S * 12/2014 Dean, Jr. D6/300
 D735,480 S * 8/2015 Fallon D6/308
 D782,211 S * 3/2017 Randhawa D6/300
 2008/0291345 A1 11/2008 Schneider
 2012/0169553 A1 7/2012 Nomura et al.
 2012/0249396 A1 10/2012 Parsche
 2017/0062939 A1* 3/2017 Ross, III H01Q 9/285

OTHER PUBLICATIONS

U.S. Appl. No. 15/277,362, filed Sep. 27, 2016, John Edwin Ross III, et al.
 U.S. Appl. No. 14/878,504, filed Oct. 8, 2015, John Edwin Ross III, et al.

* cited by examiner

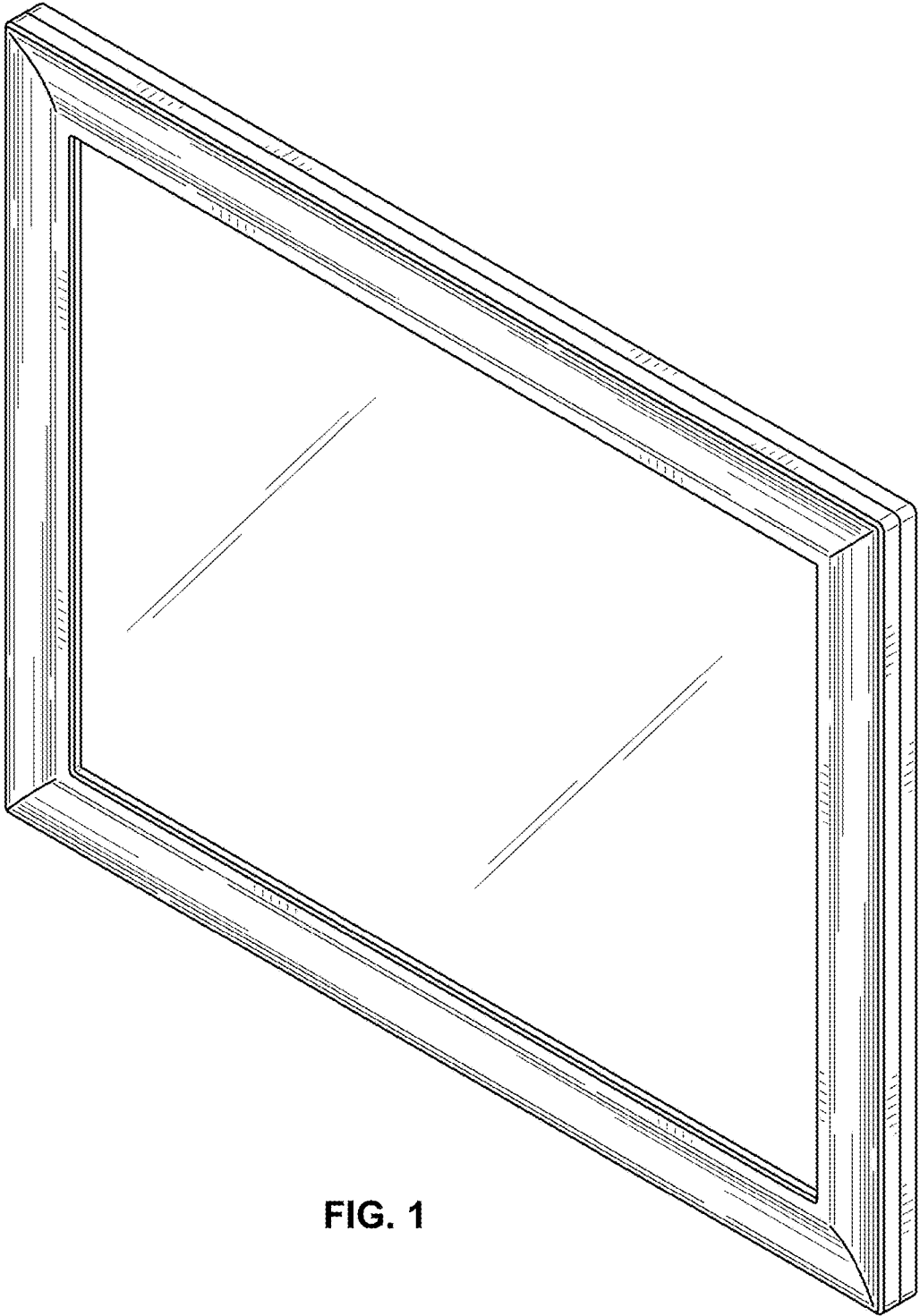


FIG. 1

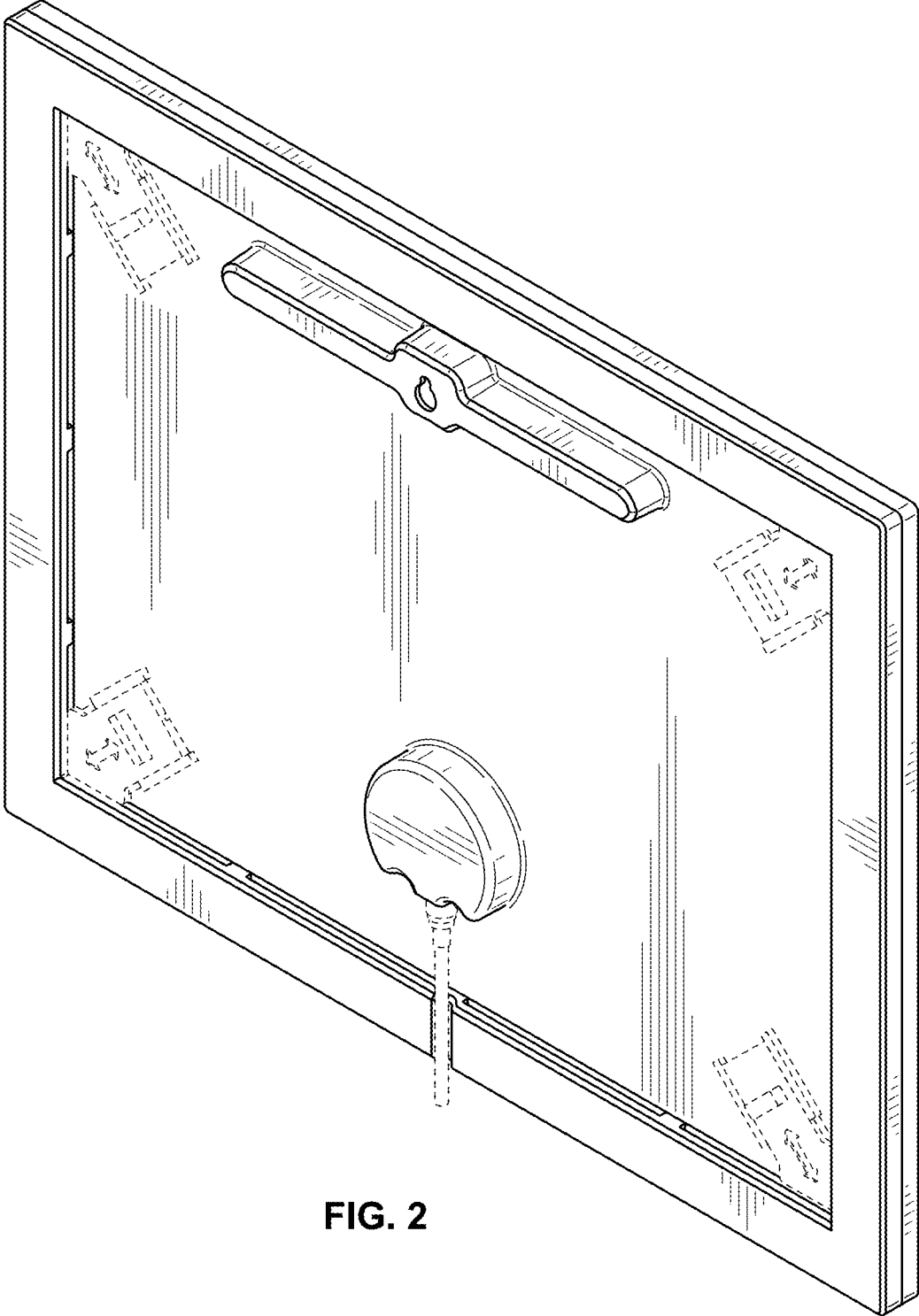


FIG. 2

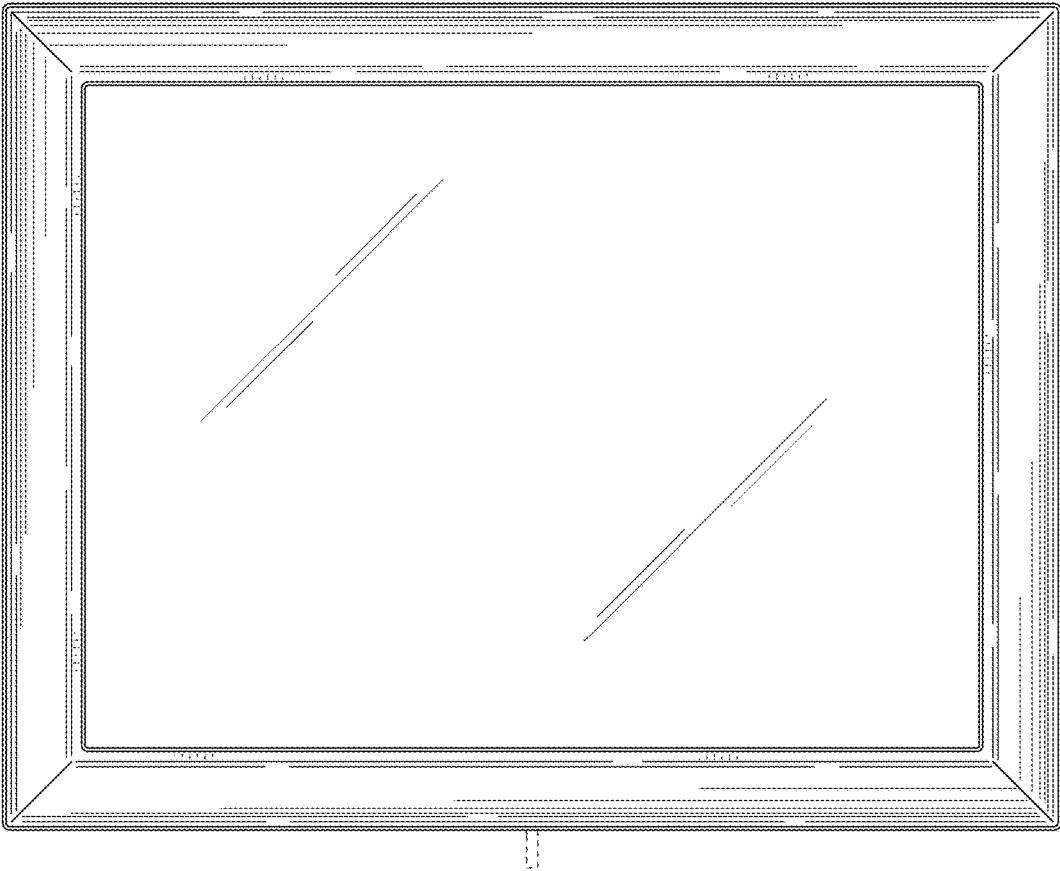


FIG. 3

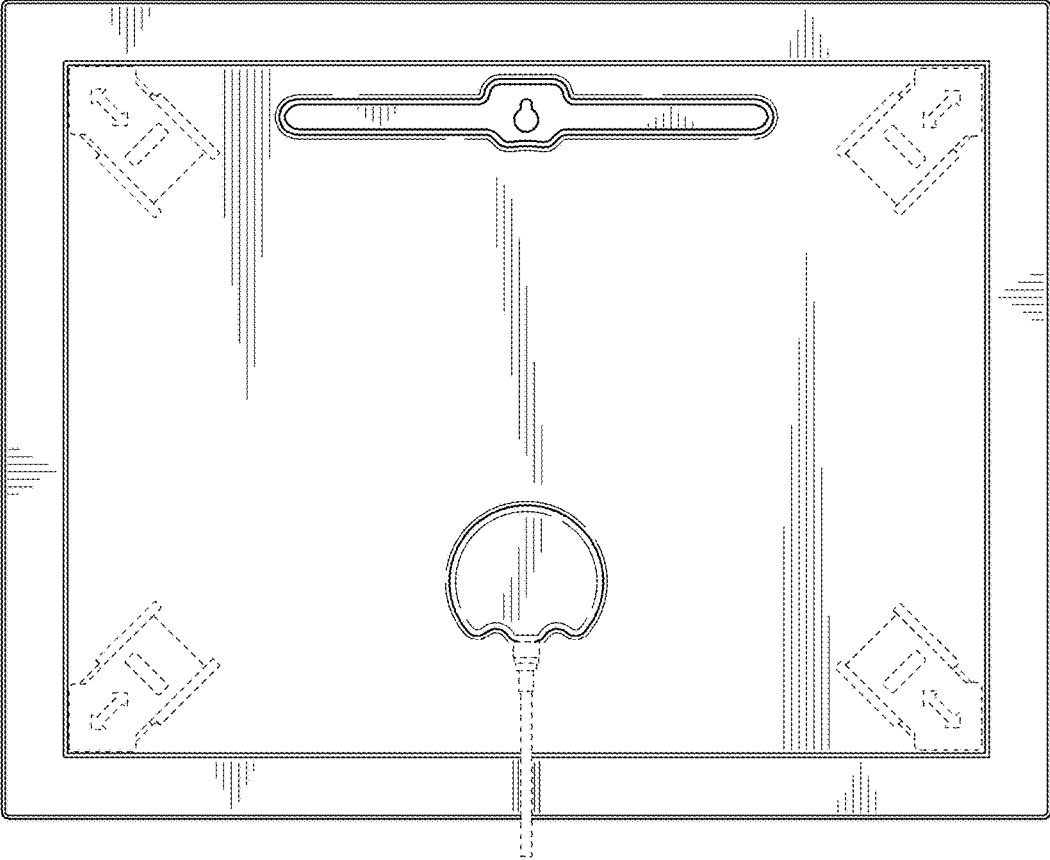


FIG. 4

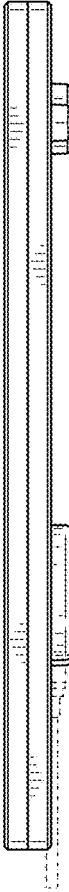


FIG. 5

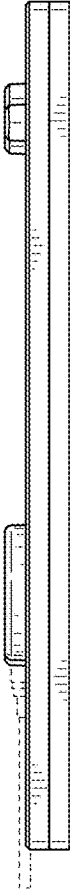


FIG. 6

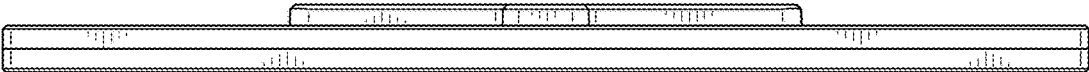


FIG. 7



FIG. 8

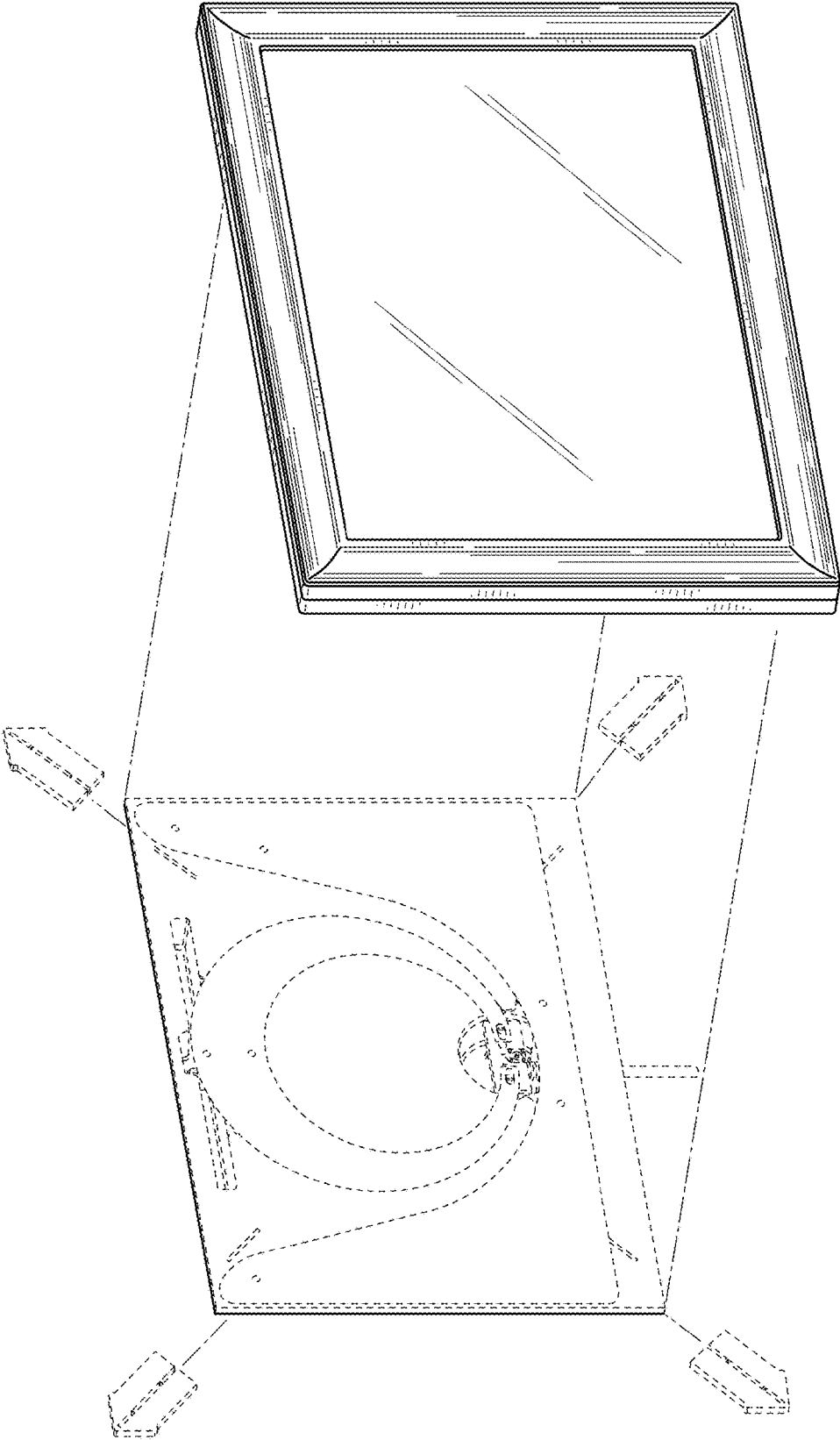


FIG. 9