



US00D928751S

(12) **United States Design Patent**
Feit et al.

(10) **Patent No.:** **US D928,751 S**
(45) **Date of Patent:** **** Aug. 24, 2021**

(54) **ANTENNA**

(71) Applicant: **Antennas Direct, Inc.**, Ellisville, MO (US)

(72) Inventors: **Corey Feit**, St. Louis, MO (US); **John Edwin Ross, III**, Moab, UT (US); **Richard E. Schneider**, Wildwood, MO (US)

(73) Assignee: **Antennas Direct, Inc.**, Ellisville, MO (US)

(**) Term: **15 Years**

(21) Appl. No.: **29/780,922**

(22) Filed: **Apr. 27, 2021**

Related U.S. Application Data

(60) Division of application No. 29/754,912, filed on Oct. 15, 2020, now Pat. No. Des. 918,187, which is a continuation of application No. 29/741,848, filed on Jul. 16, 2020, now Pat. No. Des. 902,896, which is a division of application No. 29/732,321, filed on Apr. 23, 2020, now Pat. No. Des. 892,096, which is a division of application No. 29/713,648, filed on Nov. 18, 2019, now Pat. No. Des. 883,265, which is a continuation-in-part of application No. 29/627,951, filed on Nov. 30, 2017, now Pat. No. Des. 868,720, which is a continuation of application No. 29/580,049, filed on Oct. 5, 2016, now Pat. No. Des. 809,490, which is a continuation-in-part of application No. 14/308,422, filed on Jun. 18, 2014, now abandoned, which is a continuation-in-part of application No. 13/759,750, filed on Feb. 5, 2013, now Pat. No. 8,994,600, which is a continuation-in-part of application No. 29/430,632, filed on Aug. 28, 2012, now abandoned, which is a continuation-in-part of application No. 29/376,791, filed on Oct. 12, 2010, now Pat. No. Des. 666,178, which is a continuation-in-part of application No. 12/606,636, filed on Oct. 27, 2009, now Pat. No. 8,368,607, which is a continuation-in-part of

application No. PCT/US2008/061908, filed on Apr. 29, 2008, which is a continuation-in-part of application No. 12/050,133, filed on Mar. 17, 2008, now Pat. No. 7,609,222, which is a continuation-in-part of application No. 29/305,294, filed on Mar. 17, 2008, now Pat. No. Des. 604,276, which is a continuation-in-part of application No. 12/050,133, filed on Mar. 17, 2008, now Pat. No. 7,609,222, which is a continuation-in-part of application No. 12/040,464, filed on Feb. 29, 2008, now Pat. No. 7,839,347, which is a continuation-in-part of application No. 29/304,423, filed on Feb. 29, 2008, now Pat. No. Des. 598,433.

(51) **LOC (13) Cl.** **14-03**

(52) **U.S. Cl.**
USPC **D14/230**

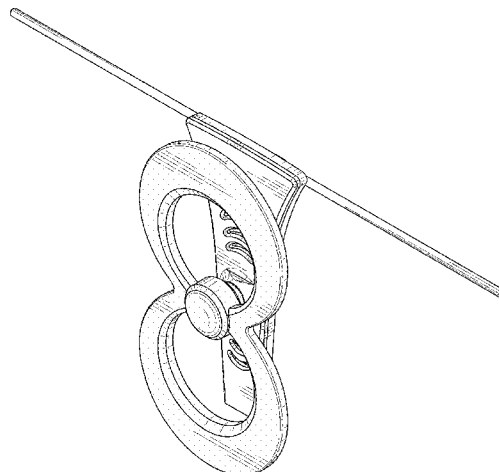
(58) **Field of Classification Search**
USPC D14/138, 230-238, 299, 358
CPC H01Q 7/00; H01Q 13/10; H01Q 9/285;
H01Q 19/30; H01Q 19/12; H01Q 1/38;
H01Q 1/36; H04B 1/0475; H04B 1/034;
H05K 11/00

See application file for complete search history.

(56) **References Cited**

U.S. PATENT DOCUMENTS

2,060,098 A	11/1936	Norman
2,220,008 A	10/1940	Woodward et al.
2,437,251 A	3/1948	Frische et al.
2,480,155 A	8/1949	Masters
2,589,578 A	3/1952	Sabins
D170,203 S	8/1953	Leonard
D171,560 S	2/1954	Ritter
D177,200 S	3/1956	Valiulis
D179,111 S	11/1956	Ballan
2,821,710 A	1/1958	Hale
3,015,101 A	12/1961	Turner et al.
3,123,826 A	3/1964	Durham
3,161,975 A	12/1964	McMillan
3,239,838 A	3/1966	Kelleher
3,261,019 A	7/1966	Lundy
3,273,158 A	9/1966	Fouts et al.
D209,402 S	11/1967	Burlingame
D211,025 S	5/1968	Callaghan
3,434,145 A	3/1969	Wells



US D928,751 S

3,521,284 A	7/1970	Strom et al.	D847,798 S	5/2019	Yang	
3,560,983 A	2/1971	Willie et al.	D849,722 S	5/2019	Yang	
3,587,105 A	6/1971	Neilson	D850,425 S *	6/2019	Yang	D14/230
3,721,990 A	3/1973	Gibson et al.	D867,347 S *	11/2019	Ross, III	D14/230
3,739,388 A	6/1973	Callaghan	D868,045 S *	11/2019	Ross, III	D14/230
3,828,867 A	8/1974	Elwood	D868,720 S *	12/2019	Feit	D14/135
3,971,031 A	7/1976	Burke	D872,714 S	1/2020	Yang	
4,183,027 A	1/1980	Ehrenspeck	D883,265 S	5/2020	Feit et al.	
4,184,163 A	1/1980	Woodward	D896,797 S	9/2020	Yang	
4,418,427 A	11/1983	Muterspaugh	D902,896 S	11/2020	Feit et al.	
D308,521 S	6/1990	Lonczak	D904,358 S	12/2020	Feit et al.	
D310,671 S	9/1990	Weiss	D918,187 S	5/2021	Feit et al.	
4,987,424 A	1/1991	Tamura et al.	2002/0158798 A1	10/2002	Chiang et al.	
D318,673 S	7/1991	Terk	2003/0071757 A1	4/2003	Yamaki	
D327,690 S	7/1992	Ogawa et al.	2004/0090379 A1*	5/2004	Fourdeux	H01Q 9/0457
D332,262 S	1/1993	Borchardt				343/700 MS
5,280,645 A	1/1994	Nguyen et al.	2004/0090385 A1	5/2004	Green	
D344,731 S	3/1994	Witzky	2004/0113841 A1*	6/2004	Louzir	H01Q 9/0457
D345,982 S	4/1994	Lucey				343/700 MS
5,313,218 A	5/1994	Busking	2004/0217912 A1	11/2004	Mohammadian	
5,943,025 A	8/1999	Benham et al.	2005/0088342 A1	4/2005	Parsche	
D414,495 S	9/1999	Heiligenstein et al.	2005/01110689 A1*	5/2005	Masutani	H01Q 9/0464
5,959,586 A	9/1999	Benham et al.				343/700 MS
D421,610 S	3/2000	Ghalebi	2005/0162332 A1	7/2005	Schantz	
6,054,963 A	4/2000	Muterspaugh	2005/0259023 A1*	11/2005	Wang	H01Q 9/16
6,239,764 B1	5/2001	Timofeev et al.				343/764
D449,593 S	10/2001	Schultz	2005/0280582 A1*	12/2005	Powell	H01Q 5/50
6,590,541 B1	7/2003	Schultze				343/700 MS
6,593,886 B2	7/2003	Schantz	2006/0033665 A1*	2/2006	Yang	H01Q 9/0414
D480,714 S	10/2003	Wang				343/700 MS
6,680,708 B2	1/2004	Yamaki	2006/0055618 A1	3/2006	Poilasne et al.	
D501,468 S	2/2005	Wang	2006/0077115 A1	4/2006	Oh et al.	
6,885,352 B2	4/2005	Lee et al.	2006/0103577 A1*	5/2006	Lee	H01Q 9/40
6,917,793 B2	7/2005	Wang				343/700 MS
6,922,179 B2	7/2005	McCollum	2006/0164304 A1*	7/2006	Huang	H01Q 9/0414
7,091,925 B1	8/2006	Wang				343/700 MS
7,126,556 B1	10/2006	Wang	2007/0069955 A1*	3/2007	McCorkle	H01Q 13/106
7,209,089 B2	4/2007	Schantz				343/700 MS
D544,471 S	6/2007	Wang	2007/0200769 A1*	8/2007	Nakano	H01Q 1/48
7,239,290 B2	7/2007	Poilasne et al.				343/700 MS
7,245,266 B1	7/2007	Szente et al.	2008/0040464 A1	2/2008	Chia	
D558,189 S	12/2007	Inoue	2008/0094291 A1	4/2008	Bystrom et al.	
7,356,362 B2	4/2008	Chang et al.	2008/0211720 A1	9/2008	Hansen	
7,436,973 B2	10/2008	Liao	2008/0258980 A1	10/2008	Chen et al.	
D581,931 S	12/2008	Pine	2008/0291345 A1	11/2008	Schneider	
D585,883 S	2/2009	Kaneko	2009/0058732 A1*	3/2009	Nakano	H01Q 1/48
D598,433 S	8/2009	Schneider et al.				343/700 MS
D598,434 S	8/2009	Schneider et al.	2009/0073067 A1	3/2009	Soler Castany et al.	
D598,469 S	8/2009	Harris, Jr.	2009/0146899 A1	6/2009	Schneider et al.	
7,609,222 B2	10/2009	Schneider et al.	2010/0085269 A1	4/2010	Sadowski et al.	
D604,276 S	11/2009	Schneider et al.	2012/0169553 A1*	7/2012	Nomura	H01Q 5/371
D611,460 S	3/2010	Chao				343/741
7,693,570 B2	4/2010	Green et al.	2014/0292597 A1*	10/2014	Schneider	H01Q 7/00
D624,531 S	9/2010	Fleck et al.				343/741
7,839,347 B2	11/2010	Schneider et al.				
7,839,351 B2	11/2010	Schadler et al.				
7,898,496 B2	3/2011	Olsen et al.				
D638,031 S	5/2011	Lee et al.				
7,936,311 B2	5/2011	Rowser et al.				
7,990,335 B2	8/2011	Schneider et al.				
D655,692 S	3/2012	Silverman et al.				
8,144,069 B2	3/2012	Sadowski et al.				
8,174,457 B1	5/2012	Lam				
D664,564 S	7/2012	Gillett et al.				
D666,178 S *	8/2012	Schneider				
						H01Q 7/00
						D14/230
8,368,607 B2 *	2/2013	Schneider				H01Q 7/00
						343/742
8,736,500 B1 *	5/2014	Lam				H01P 5/10
						343/726
D721,737 S	1/2015	Ahn et al.				
8,994,600 B2	3/2015	Schneider et al.				
D809,490 S *	2/2018	Feit				D14/230
D815,073 S *	4/2018	Feit				D14/230
D824,884 S *	8/2018	Ross, III				D14/230
D831,010 S	10/2018	Yang				
10,128,575 B2 *	11/2018	Ross, III				H01Q 1/36
D837,769 S	1/2019	Yang				
D838,697 S	1/2019	Yang				

FOREIGN PATENT DOCUMENTS

CN	201243084 Y	5/2009
CN	ZL2008200072832	5/2009
CN	ZL2008301199963	5/2009
CN	101453057 A	6/2009
CN	ZL2008301199978	7/2009
CN	ZL2008300091398	9/2009
CN	203707328 U	7/2014
EM	000946587	5/2008
EP	1555717 A1	7/2005
EP	1653560 A1	5/2006
EP	1753080 A1	2/2007
GB	2263360 A	7/1993
JP	D1213590	6/2004
TW	M249233 U	11/2004
TW	D112283	8/2006
TW	D119092	9/2007
TW	200926506 A	6/2009
TW	D129744	7/2009
TW	D129745	7/2009
TW	D129746	7/2009
WO	WO-2009073249 A1	6/2009

OTHER PUBLICATIONS

“Analog High-Definition Television System”, Wikipedia: the Free Encyclopedia. Wikimedia Foundation, Inc. Oct. 12, 2016. Web. Mar. 16, 2017, 5 pages.

“Television Antenna”, Wikipedia: The Free encyclopedia. Wikimedia Foundation, Inc. Mar. 13, 2017. Web. Mar. 15, 2017, 6 pages.

A Broadband Eccentric Annular Slot Antenna, Young Hoon Suh and Ikmo Park, Department of Electrical Engineering, Ajou University, pp. 94-97, IEEE copyright notice 2001.

A Printed Crescent Patch Antenna for Ultrawideband Applications, Ntsanderh C. Azenui and H.Y.D. Yang, IEEE Antennas and Wireless Propagation Letters, vol. 6, 2007, pp. 113-116.

Antenna Engineering Handbook, 3rd Edition, Edited by Richard C. Johnson, McGraw Hill, 1993, pp. 5-13 to 5-16.

Antenna Theory: a. Review, Balanis, Proc. IEEE vol. 80 No. Jan. 1, 1992, 17 pages.

Antennas Direct, PF7 Picture Frame Antenna, Oct. 1, 2005, Antennas Direct, <http://web.archive.org/web/2005100102653/http://antennasdirect.com/PF7.su-b.--antenna.html>, 1 page.

C. M. Shah, S. Siriam, M. Bhaskaran and A. Mitchell, “Large area metal-silicone flexible electronic structures,” 2010 Conference on Optoelectronic and Microelectronic Materials and Devices, Canberra, ACT, 2010, pp. 187-188.

Chinese office action dated Nov. 4, 2015 for Chinese application No. 2014101113505 filed Feb. 7, 2014, published as CN103972657 on Aug. 6, 2014, which names the same inventors, Richard E. Schneider and John Edwin Ross III, as the instant application but is not related through a priority claim; 7 pages.

Clearstream.TM. 2V; <http://www.antennasdirect.com/cmss.sub--files/attachementlibrary/pdf/C2--V-sub.--QS.sub.--FINAL.sub.--20120702.pdf>; Jul. 2, 2012; 2 pgs.

Design of Compact Components for Ultra Wideband Communication Front Ends, Marek Bialkowski, Amin Abbosh, and Hing Kan, School of Information Technology and Electrical Engineering, The University of Queensland, four pages.

European Search Report dated Apr. 24, 2014 for EP application No. 14153878.5 which claims priority to the instant application; 9 pages.

European Search Report dated Jan. 17, 2011, issued by the European Patent Office for European Patent Application No. EP 10193159.0 which is related to the instant application through a priority claim; (5 pages).

European Supplementary Search Report and Opinion dated Oct. 7, 2010, issued by the European Patent Office for European Patent Application No. EP 08747115 (6 pages).

Frequency-and Time-Domain Modeling of Tapered Loop Antennas in Ultra-Wideband Radio Systems, Shiou-Li Chen and Shau-Gang Mao, Graduate Institute of Computer and Communication Engineer, pp. 179-182, IEEE copyright notice 2006.

IEEE Spectrum: Antennas for the New Airwaves, <http://www.spectrum.ieee.org/print/7328>, Published Feb. 2009, 9 pages, Authors Richard Schneider and John Ross.

Mao S-G et al., “Time-domain characteristics of ultra-wideband tapered loop antennas”, Electronics Letters, IEE Stevenage, GB, vol. 42, No. 22, Oct. 26, 2006; 1262-1264; 2 pages.

One-Element Loop Antenna with Finite Reflector, B. Rojarayanont and T. Sekiguchi, Electronics & Communications in Japan, vol. 59-B, No. 5, May 1976, p. 68.

Planar Miniature Tapered-Slot-Fed Annular Slot Antennas for Ultrawide-Band Radios, Tzyh-Ghuang Ma, Student Member, and Shyh-Kang, Jeng, Senior Member, IEEE, IEEE Transactions on Antennas and Propagation, vol. 53, No. 3, Mar. 2005, pp. 1194-1202.

Self-Mutual Admittances of Two Identical Circular Loop Antennas in a Conducting Medium and in Air, K. Iizuka, Senior Member, IEEE, R. W. P. King, Fellow, IEEE, and C. W. Harrison, Jr., Senior Member, IEEE, IEEE Transactions on Antennas and Propagation, vol. AP014, No. 4, Jul. 1966, pp. 440-450.

Tofel, Kevin C., HD Picture frame antenna, Aug. 11, 2005, <http://hd.engadget.com/2005/08/11/hd-picture-frame-antenna>, 1 page.

Clearstream.TM. 2V; <http://www.antennasdirect.com/cmss.sub--files/attachementlibrary/pdf/C2--V-sub.--QS.sub.--FINAL.sub.--20120702.pdf>; Jul. 2, 2012; 2 pgs.

* cited by examiner

Primary Examiner — John Windmuller

(74) *Attorney, Agent, or Firm* — Harness, Dickey & Pierce, P.L.C.; Anthony G. Fussner

(57)

CLAIM

The ornamental design for an antenna, as shown and described.

DESCRIPTION

FIG. 1 is a perspective view of an antenna, showing our new design;

FIG. 2 is a back perspective view of the antenna shown in FIG. 1;

FIG. 3 is a front view of the antenna shown in FIG. 1;

FIG. 4 is a back view of the antenna shown in FIG. 1;

FIG. 5 is a right side view of the antenna shown in FIG. 1;

FIG. 6 is a left side view of the antenna shown in FIG. 1;

FIG. 7 is a top view of the antenna shown in FIG. 1; and,

FIG. 8 is a bottom view of the antenna shown in FIG. 1.

In the drawings, the details shown in broken lines depict portions of the antenna that form no part of the claimed design.

1 Claim, 6 Drawing Sheets

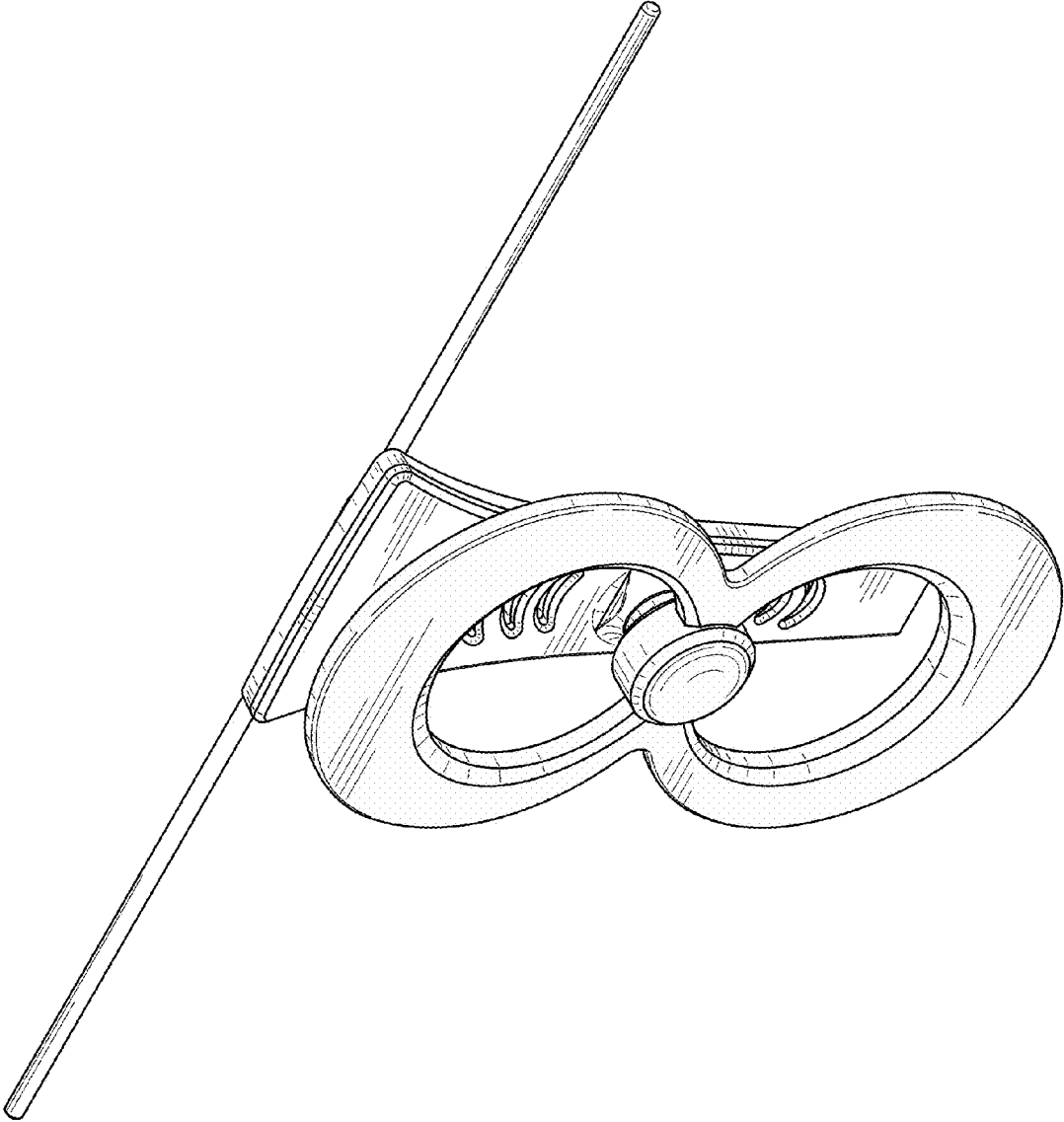


FIG. 1

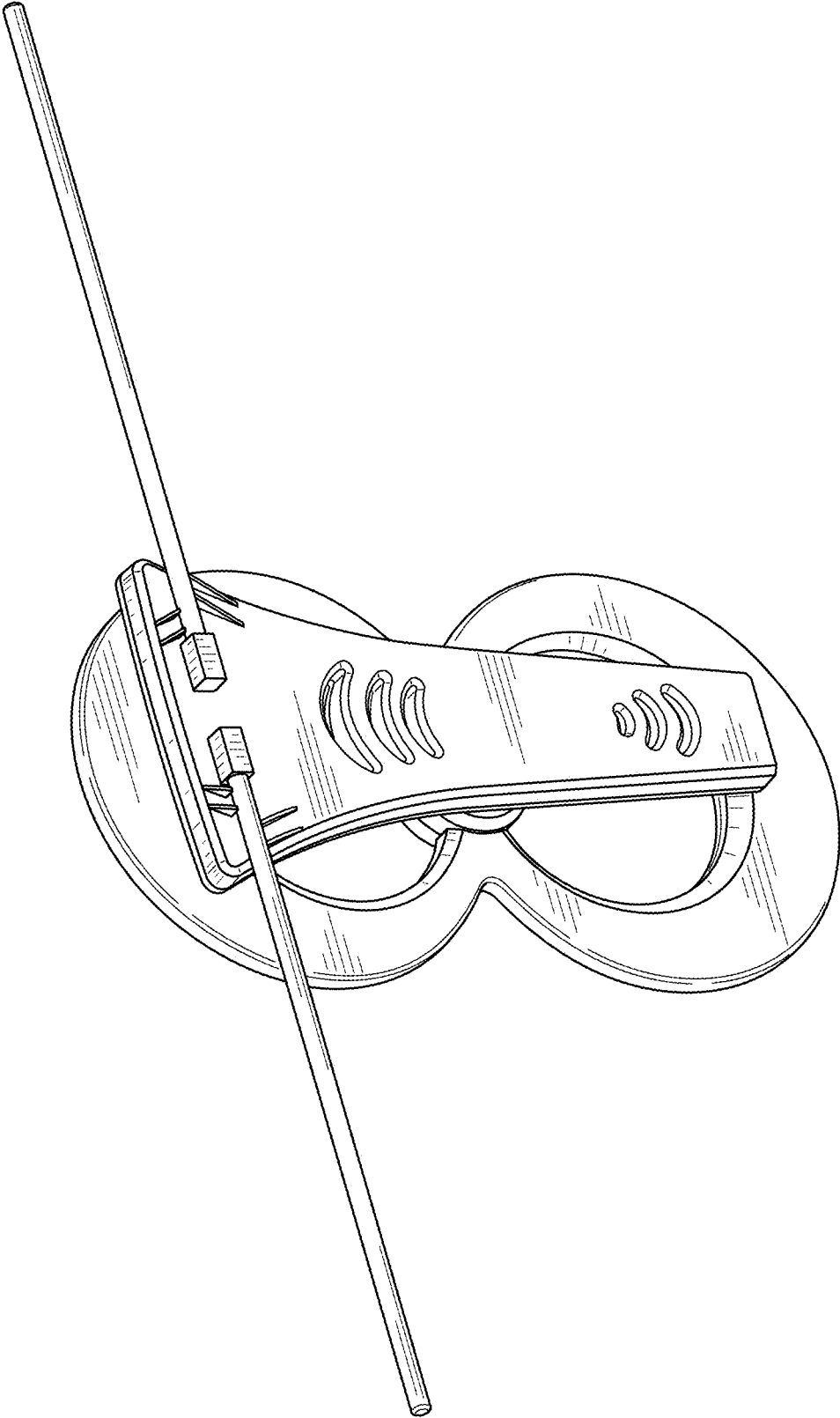


FIG. 2

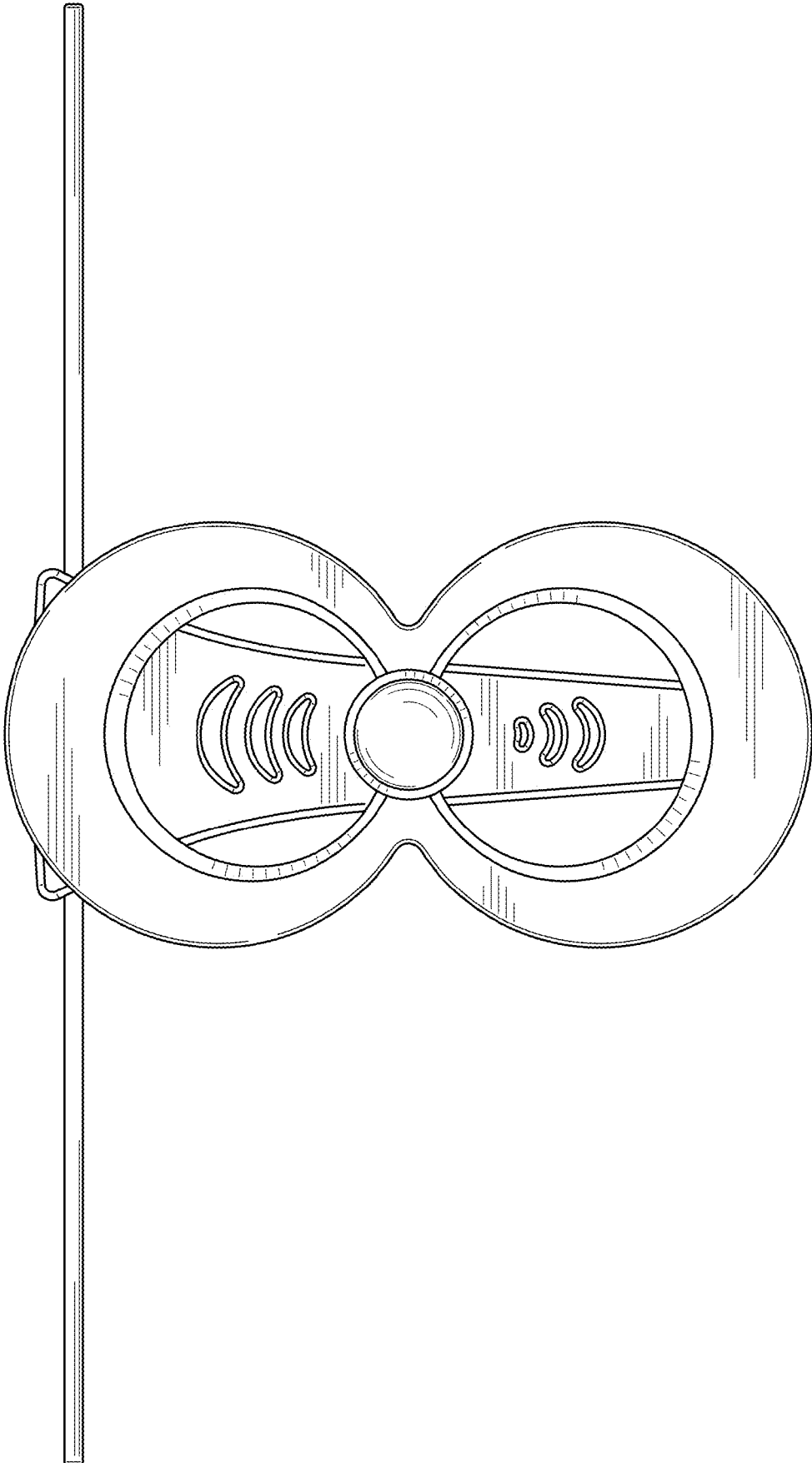


FIG. 3

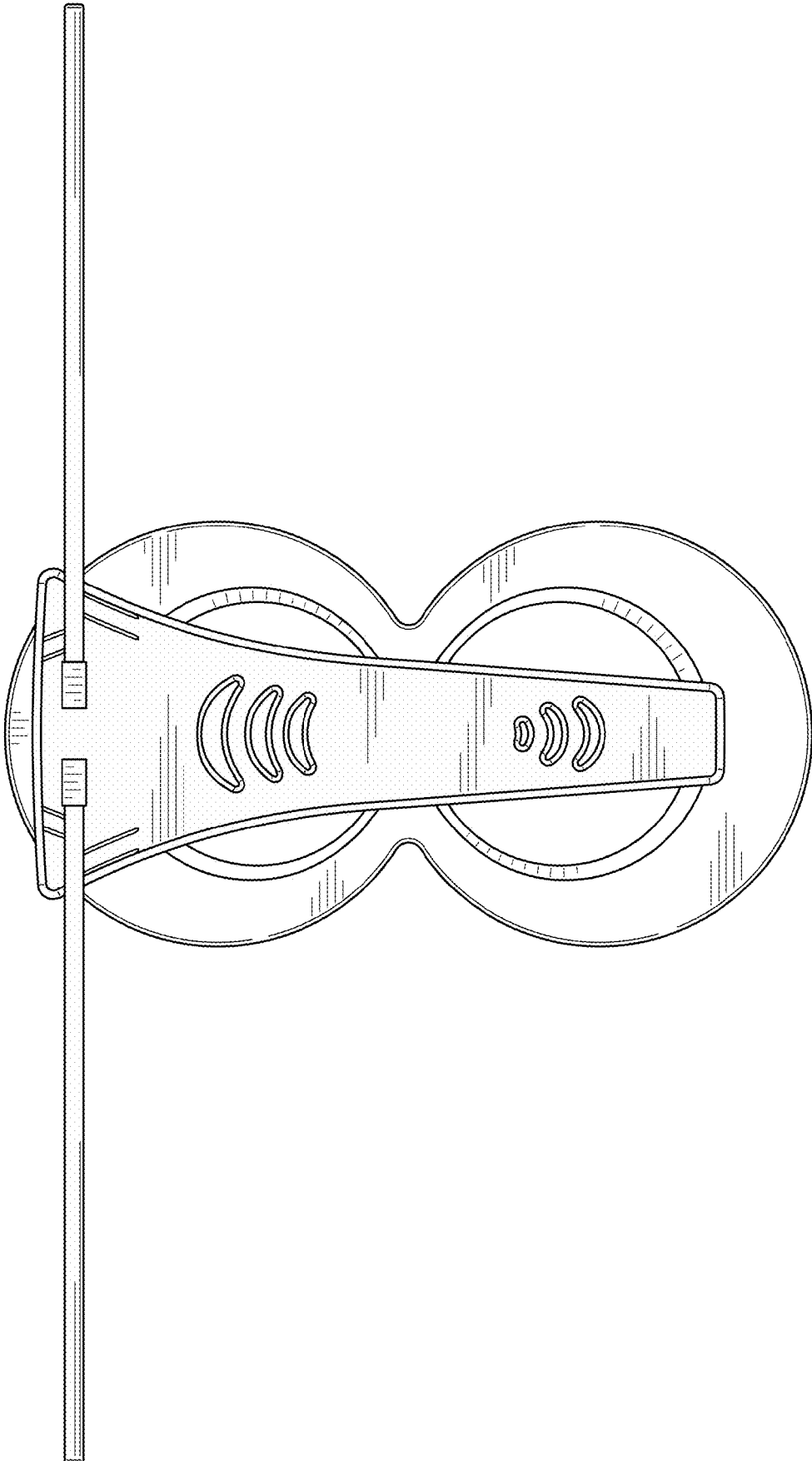


FIG. 4

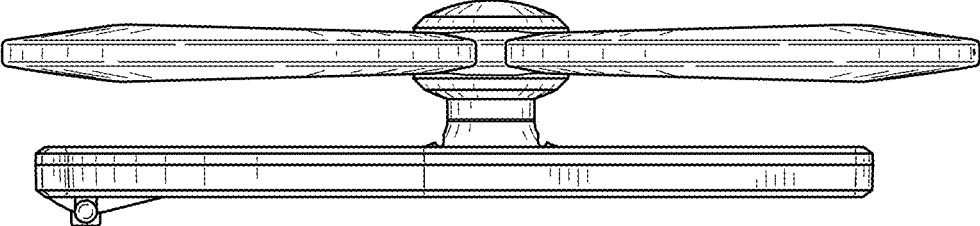


FIG. 5

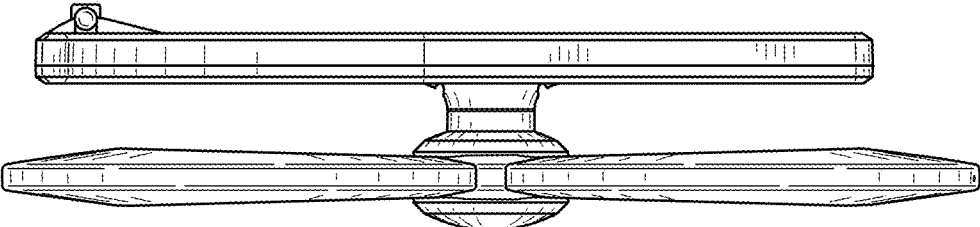


FIG. 6

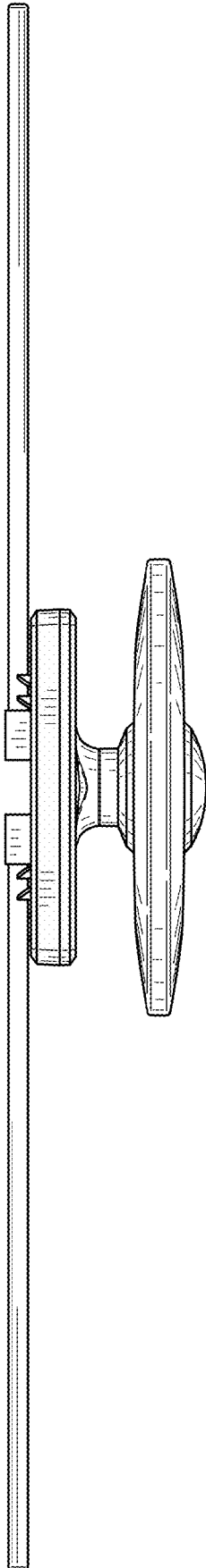


FIG. 7

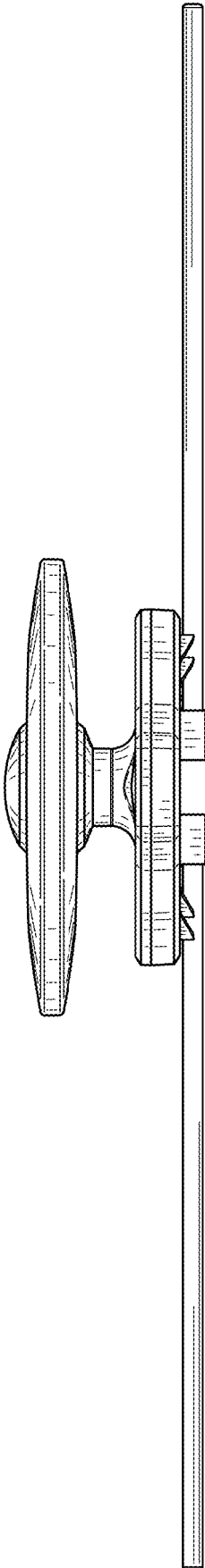


FIG. 8