



US00D868045S

(12) **United States Design Patent**
Ross, III et al.

(10) **Patent No.:** **US D868,045 S**

(45) **Date of Patent:** **** Nov. 26, 2019**

(54) **ANTENNA**

(71) Applicant: **Antennas Direct, Inc.**, Ellisville, MO (US)

(72) Inventors: **John Edwin Ross, III**, Moab, UT (US); **Joanne Nosiglia**, Eureka, MO (US)

(**) Term: **15 Years**

(21) Appl. No.: **29/672,540**

(22) Filed: **Dec. 6, 2018**

Related U.S. Application Data

(63) Continuation-in-part of application No. 29/627,951, filed on Nov. 30, 2017, and a continuation-in-part of application No. 15/685,749, filed on Aug. 24, 2017, and a continuation-in-part of application No. 29/671,595, filed on Nov. 28, 2018, said application No. 29/627,951 is a continuation of application No. 29/580,049, filed on Oct. 5, 2016, now Pat. No. Des. 809,490, which is a continuation-in-part of application No. 14/308,422, filed on Jun. 18, 2014, now abandoned, and a continuation-in-part of application No. 29/430,632, filed on Aug. 28, 2012, now abandoned, which is a continuation-in-part of application No. 29/376,791, filed on Oct. 12, 2010, now Pat. No. Des. 666,178, said application No. 14/308,422 is a continuation-in-part of application No. 13/759,750, filed on Feb. 5, 2013, now Pat. No. 8,894,600, which is a continuation-in-part of application No. 12/606,636, filed on Oct. 27, 2009, now Pat. No. 8,368,607, which is a continuation-in-part of application No. 12/050,133, filed on Mar. 17, 2008, now Pat. No. 7,609,222, which is a continuation-in-part of application No. 29/304,423, filed on Feb. 29, 2008, now Pat. No. Des. 598,433, said application No. 12/606,636 is a continuation-in-part of application No. 12/040,464, filed on Feb. 29, 2008, now Pat. No. 7,839,347, said application No. 12/606,636 is a continuation-in-part of application No. 29/305,294, filed on Mar. 17, 2008,

now Pat. No. Des. 604,276, which is a continuation-in-part of application No. 12/040,464, filed on Feb. 29, 2008, now Pat. No. 7,839,347, and a continuation of application No. 12/050,133, filed on Mar. 17, 2008, now Pat. No. 7,609,222, said application No. 12/606,636 is a continuation-in-part of application No. PCT/US2008/061908, filed on Apr. 29, 2008, which is a continuation of application No. 12/050,133, filed on Mar. 17, 2008, now Pat. No. 7,609,222, and a continuation of application No. 12/040,464, filed on Feb. 29, 2008, now Pat. No. 7,839,347.

(51) **LOC (12) Cl.** **14-03**

(52) **U.S. Cl.**

USPC **D14/230**

(58) **Field of Classification Search**

USPC D14/138, 230-238, 299, 358; D12/42, D12/43

CPC H01Q 7/00; H01Q 13/10; H01Q 9/285; H01Q 19/30; H01Q 19/12; H01Q 1/38; H01Q 1/36; H04B 1/0475; H04B 1/034; H05K 11/00

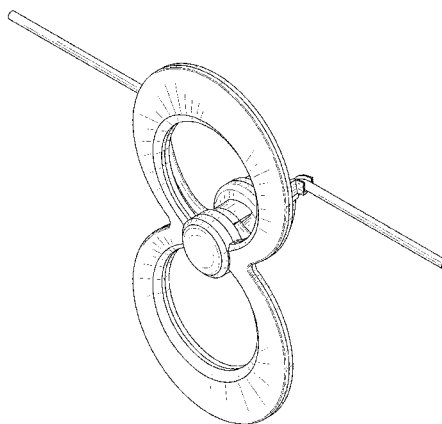
See application file for complete search history.

(56)

References Cited

U.S. PATENT DOCUMENTS

2,060,098 A	11/1936	Norman
2,220,008 A	10/1940	Woodward et al.
2,437,251 A	3/1948	Frische et al.
2,480,155 A	8/1949	Masters
2,589,578 A	3/1952	Sabins
D170,203 S	8/1953	Leonard
D171,560 S	2/1954	Ritter
D177,200 S	3/1956	Valiulis
D179,111 S	11/1956	Ballan
2,821,710 A	1/1958	Hale
3,015,101 A	12/1961	Turner et al.
3,123,826 A	3/1964	Durham
3,161,975 A	12/1964	McMillan
3,239,838 A	3/1966	Kelleher
3,261,019 A	7/1966	Lundy
3,273,158 A	9/1966	Fouts et al.
D209,402 S	11/1967	Burlingame
D211,025 S	5/1968	Callaghan
3,434,145 A	3/1969	Wells



3,521,284 A 7/1970 Strom et al.
 3,560,983 A 2/1971 Willie et al.
 3,587,105 A 6/1971 Neilson
 3,721,990 A 3/1973 Gibson et al.
 3,739,388 A 6/1973 Callaghan
 3,828,867 A 8/1974 Elwood
 3,971,031 A 7/1976 Burke
 4,183,027 A 1/1980 Ehrenspeck
 4,184,163 A 1/1980 Woodward
 4,418,427 A 11/1983 Muterspaugh
 D310,671 S 9/1990 Weiss
 4,987,424 A 1/1991 Tamura et al.
 D318,673 S 7/1991 Terk
 D327,690 S 7/1992 Ogawa et al.
 D332,262 S 1/1993 Borchardt
 5,280,645 A 1/1994 Nguyen et al.
 D344,731 S 3/1994 Witzky
 5,313,218 A 5/1994 Busking
 5,943,025 A 8/1999 Benham et al.
 D414,495 S 9/1999 Heiligenstein et al.
 5,959,586 A 9/1999 Benham et al.
 D421,610 S 3/2000 Ghalebi
 6,054,963 A 4/2000 Muterspaugh
 6,239,764 B1 5/2001 Timofeev et al.
 D449,593 S 10/2001 Schultz
 6,590,541 B1 7/2003 Schultze
 6,593,886 B2 7/2003 Schantz
 D480,714 S 10/2003 Wang
 6,680,708 B2 1/2004 Yamaki
 D501,468 S 2/2005 Wang
 6,885,352 B2 4/2005 Lee et al.
 6,917,793 B2 7/2005 Wang
 6,922,179 B2 7/2005 McCollum
 7,091,925 B1 8/2006 Wang
 7,126,556 B1 10/2006 Wang
 7,209,089 B2 4/2007 Schantz
 D544,471 S 6/2007 Wang
 7,239,290 B2 7/2007 Poilasne et al.
 7,245,266 B1 7/2007 Szente et al.
 D558,189 S 12/2007 Inoue
 7,356,362 B2 4/2008 Chang et al.
 7,436,973 B2 10/2008 Liao
 D581,931 S 12/2008 Pine
 D585,883 S 2/2009 Kaneko
 D598,433 S 8/2009 Schneider et al.
 D598,434 S 8/2009 Schneider et al.
 D598,469 S 8/2009 Harris, Jr.
 7,609,222 B2 10/2009 Schneider et al.
 D604,276 S 11/2009 Schneider et al.
 D611,460 S 3/2010 Chao
 7,693,570 B2 4/2010 Green et al.
 D624,531 S 9/2010 Fleck et al.
 7,839,347 B2 11/2010 Schneider et al.
 7,839,351 B2 11/2010 Schadler et al.
 7,898,496 B2 3/2011 Olsen et al.
 D638,031 S 5/2011 Lee et al.
 7,936,311 B2 5/2011 Rowser et al.
 7,990,335 B2 8/2011 Schneider et al.
 D655,692 S 3/2012 Silverman et al.
 8,144,069 B2 3/2012 Sadowski et al.
 8,174,457 B1 5/2012 Lam
 D664,564 S 7/2012 Gillett et al.
 D666,178 S 8/2012 Schneider et al.
 8,368,607 B2 2/2013 Schneider et al.
 8,736,500 B1 5/2014 Lam
 8,994,600 B2* 3/2015 Schneider H01Q 7/00
 343/741
 10,128,575 B2 11/2018 Ross, III et al.
 D837,769 S * 1/2019 Yang D14/230
 D838,697 S * 1/2019 Yang D14/230
 D847,798 S * 5/2019 Yang D14/230
 D849,722 S * 5/2019 Yang D14/230
 D850,425 S * 6/2019 Yang D14/230
 2002/0158798 A1 10/2002 Chiang et al.
 2003/0071757 A1 4/2003 Yamaki
 2004/0090379 A1 5/2004 Fourdeux et al.
 2004/0090385 A1 5/2004 Green
 2004/0113841 A1 6/2004 Louzir et al.
 2004/0217912 A1 11/2004 Mohammadian

2005/0088342 A1 4/2005 Parsche
 2005/0162332 A1 7/2005 Schantz
 2005/0259023 A1 11/2005 Wang
 2005/0280582 A1 12/2005 Powell et al.
 2006/0033665 A1 2/2006 Yang
 2006/0055618 A1 3/2006 Poilasne et al.
 2006/0077115 A1 4/2006 Oh et al.
 2006/0103577 A1 5/2006 Lee
 2006/0164304 A1 7/2006 Huang et al.
 2007/0069955 A1 3/2007 McCorkle
 2007/0200769 A1 8/2007 Nakano et al.
 2008/0040464 A1 2/2008 Chia
 2008/0094291 A1 4/2008 Bystrom et al.
 2008/0211720 A1 9/2008 Hansen
 2008/0258980 A1 10/2008 Chen et al.
 2008/0291345 A1 11/2008 Schneider
 2009/0058732 A1 3/2009 Nakano et al.
 2009/0073067 A1 3/2009 Soler Castany et al.
 2009/0146899 A1 6/2009 Schneider et al.
 2010/0085269 A1 4/2010 Sadowski et al.
 2014/0292597 A1 10/2014 Schneider et al.

FOREIGN PATENT DOCUMENTS

CN 201243084 Y 5/2009
 CN ZL2008200072832 5/2009
 CN ZL2008301199963 5/2009
 CN 101453057 A 6/2009
 CN ZL2008301199978 7/2009
 CN ZL2008300091398 9/2009
 CN 203707328 U 7/2014
 EM 000946587 5/2008
 EP 1555717 A1 7/2005
 EP 1653560 A1 5/2006
 EP 1753080 A1 2/2007
 GB 2263360 A 7/1993
 JP D1213590 6/2004
 TW M249233 U 11/2004
 TW D112283 8/2006
 TW D119092 9/2007
 TW 200926506 A 6/2009
 TW D129744 7/2009
 TW D129745 7/2009
 TW D129746 7/2009
 WO WO-2009073249 A1 6/2009

OTHER PUBLICATIONS

Mao S-G et al., "Time-domain characteristics of ultra-wideband tapered loop antennas", Electronics Letters, IEE Stevenage, GB, vol. 42, No. 22, Oct. 26, 2006; 1262-1264; 2 pages.
 European Search Report dated Apr. 24, 2014 for EP application No. 14153878.5 which claims priority to the instant application; 9 pages.
 IEEE Spectrum: Antennas for the New Airwaves, <http://www.spectrum.ieee.org/print/7328>, Published Feb. 2009, 9 pages, Authors Richard Schneider and John Ross.
 Antenna Engineering Handbook, 3rd Edition, Edited by Richard C. Johnson, McGraw Hill, 1993, pp. 5-13 to 5-16.
 One-Element Loop Antenna with Finite Reflector, B. Rojarayanont and T. Sekiguchi, Electronics & Communications in Japan, vol. 59-B, No. 5, May 1976, p. 68.
 Frequency-and Time-Domain Modeling of Tapered Loop Antennas in Ultra-Wideband Radio Systems, Shiou-Li Chen and Shau-Gang Mao, Graduate Institute of Computer and Communication Engineer, pp. 179-182, IEEE copyright notice 2006.
 Planar Miniature Tapered-Slot-Fed Annular Slot Antennas for Ultrawide-Band Radios, Tzyh-Ghuang Ma, Student Member, and Shyh-Kang, Jeng, Senior Member, IEEE, IEEE Transactions on Antennas and Propagation, vol. 53, No. 3, Mar. 2005, pp. 1194-1202.
 Self-Mutual Admittances of Two Identical Circular Loop Antennas in a Conducting Medium and in Air, K. Iizuka, Senior Member, IEEE, R. W. P. King, Fellow, IEEE, and C. W. Harrison, Jr., Senior Member, IEEE, IEEE Transactions on Antennas and Propagation, vol. AP014, No. 4, Jul. 1966, pp. 440-450.

A Broadband Eccentric Annular Slot Antenna, Young Hoon Suh and Ikmo Park, Department of Electrical Engineering, Ajou University, pp. 94-97, IEEE copyright notice 2001.

A Printed Crescent Patch Antenna for Ultrawideband Applications, Ntsanderh C. Azenui and H.Y.D. Yang, IEEE Antennas and Wireless Propagation Letters, vol. 6, 2007, pp. 113-116.

Design of Compact Components for Ultra Wideband Communication Front Ends, Marek Bialkowski, Amin Abbosh, and Hing Kan, School of Information Technology and Electrical Engineering, The University of Queensland, four pages.

Nonfinal Office Action dated Apr. 17, 2012 from design U.S. Appl. No. 29/376,791 which is a continuation of the instant application; 8 pages.

Tofel, Kevin C., HD Picture frame antenna, Aug. 11, 2005, <http://hd.engadget.com/2005/08/11/hd-picture-frame-antenna>, 1 page.

Antennas Direct, PF7 Picture Frame Antenna, Oct. 1, 2005, Antennas Direct, <http://web.archive.org/web/2005100102653/http://antennasdirect.com/PF7.su-b-antenna.html>, 1 page.

United States Office Action dated Sep. 13, 2011, issued in U.S. Appl. No. 12/126,593, which shares a common inventor with the instant application, 13 pages.

European Search Report dated Jan. 17, 2011, issued by the European Patent Office for European Patent Application No. EP 10193159.0 which is related to the instant application through a priority claim; (5 pages).

European Supplementary Search Report and Opinion dated Oct. 7, 2010, issued by the European Patent Office for European Patent Application No. EP 08747115 (6 pages).

Clearstream.TM. 2V; <http://www.antennasdirect.com/cmss.sub--files/attachmentlibrary/pdf/C2-V-.sub.--QS.sub.--FINAL.sub.--20120702.pdf>; Jul. 2, 2012; 2 pgs.

Chinese office action dated Nov. 4, 2015 for Chinese application No. 2014101113505 filed Feb. 7, 2014, published as CN103972657 on Aug. 6, 2014, which names the same inventors, Richard E. Schneider and John Edwin Ross III, as the instant application but is not related through a priority claim; 7 pages.

C. M. Shah, S. Siriam, M. Bhaskaran and A. Mitchell, "Large area metal-silicone flexible electronic structures," 2010 Conference on Optoelectronic and Microelectronic Materials and Devices, Canberra, ACT, 2010, pp. 187-188.

Antenna Theory: a. Review, Balanis, Proc. IEEE vol. 80 No. 1 Jan. 1992, 17 pages.

"Television Antenna", Wikipedia: The Free encyclopedia. Wikimedia Foundation, Inc. Mar. 13, 2017. Web. Mar. 15, 2017, 6 pages.

"Analog High-Definition Television System", Wikipedia: the Free Encyclopedia. Wikimedia Foundation, Inc. Oct. 12, 2016. Web. Mar. 16, 2017, 5 pages.

Nonfinal Office Action dated May 18, 2018 for U.S. Appl. No. 15/685,749, filed Aug. 24, 2017 which is the parent application to the instant application; 8 pages.

* cited by examiner

Primary Examiner — John Windmuller

(74) *Attorney, Agent, or Firm* — Harness, Dickey & Pierce, P.L.C.; Anthony G. Fussner

(57)

CLAIM

The ornamental designs for antenna, as shown and described.

DESCRIPTION

FIG. 1 is a perspective view of an antenna, showing our new design;

FIG. 2 is a back perspective view of the antenna shown in FIG. 1;

FIG. 3 is a front view of the antenna shown in FIG. 1;

FIG. 4 is a back view of the antenna shown in FIG. 1;

FIG. 5 is a right side view of the antenna shown in FIG. 1;

FIG. 6 is a left side view of the antenna shown in FIG. 1;

FIG. 7 is a top view of the antenna shown in FIG. 1; and,

FIG. 8 is a bottom view of the antenna shown in FIG. 1.

In the drawings, the details shown in broken lines depict environmental subject matter only and form no part of the claimed design.

1 Claim, 6 Drawing Sheets

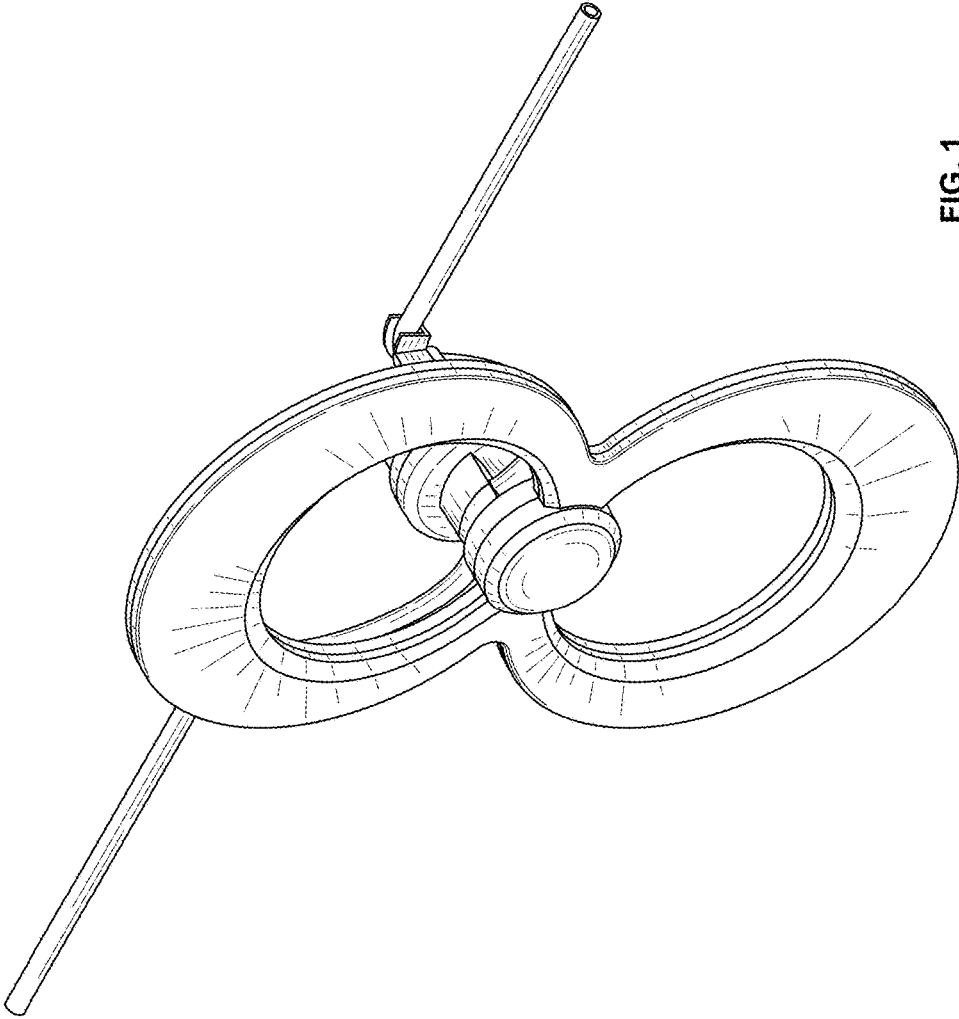


FIG. 1

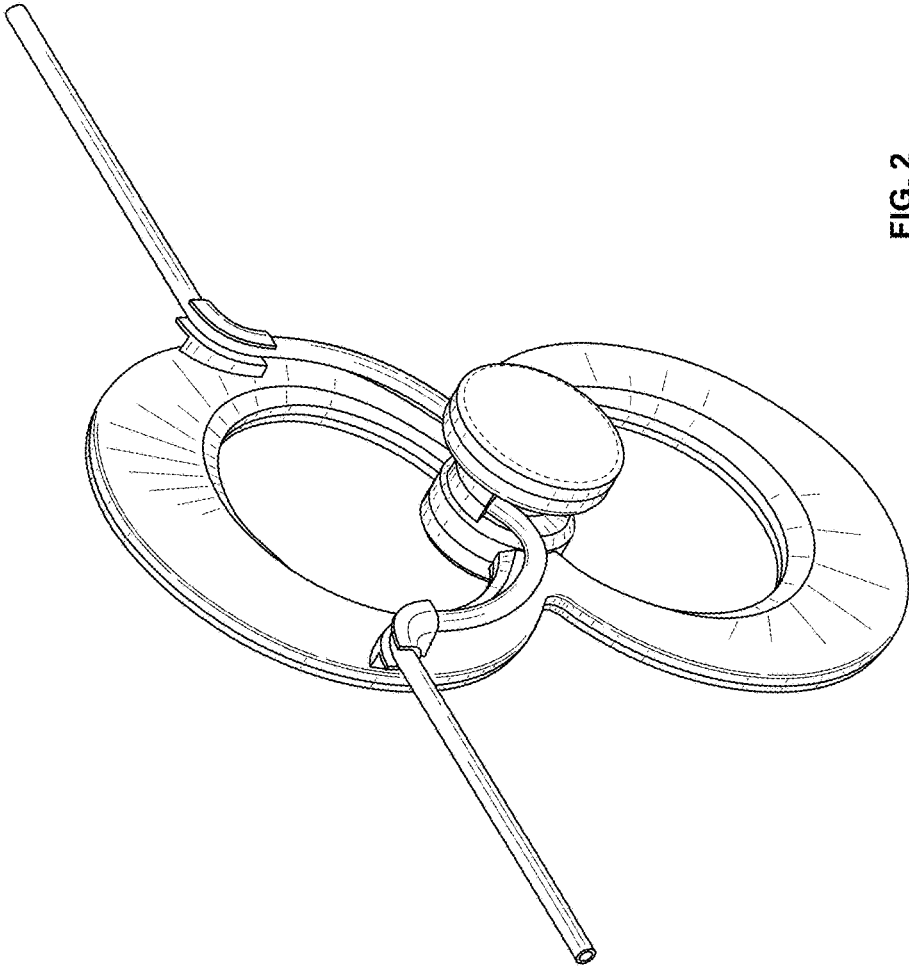


FIG. 2

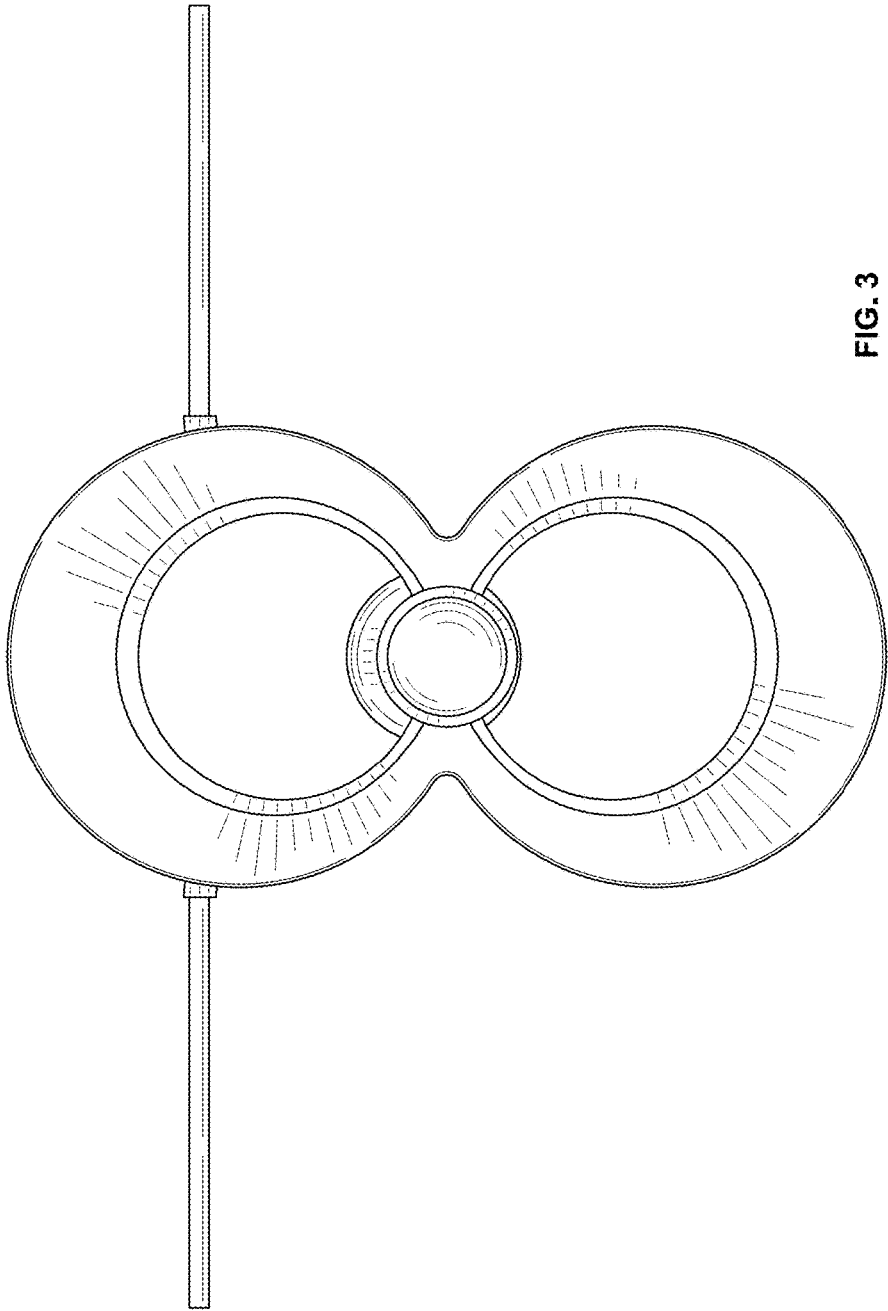


FIG. 3

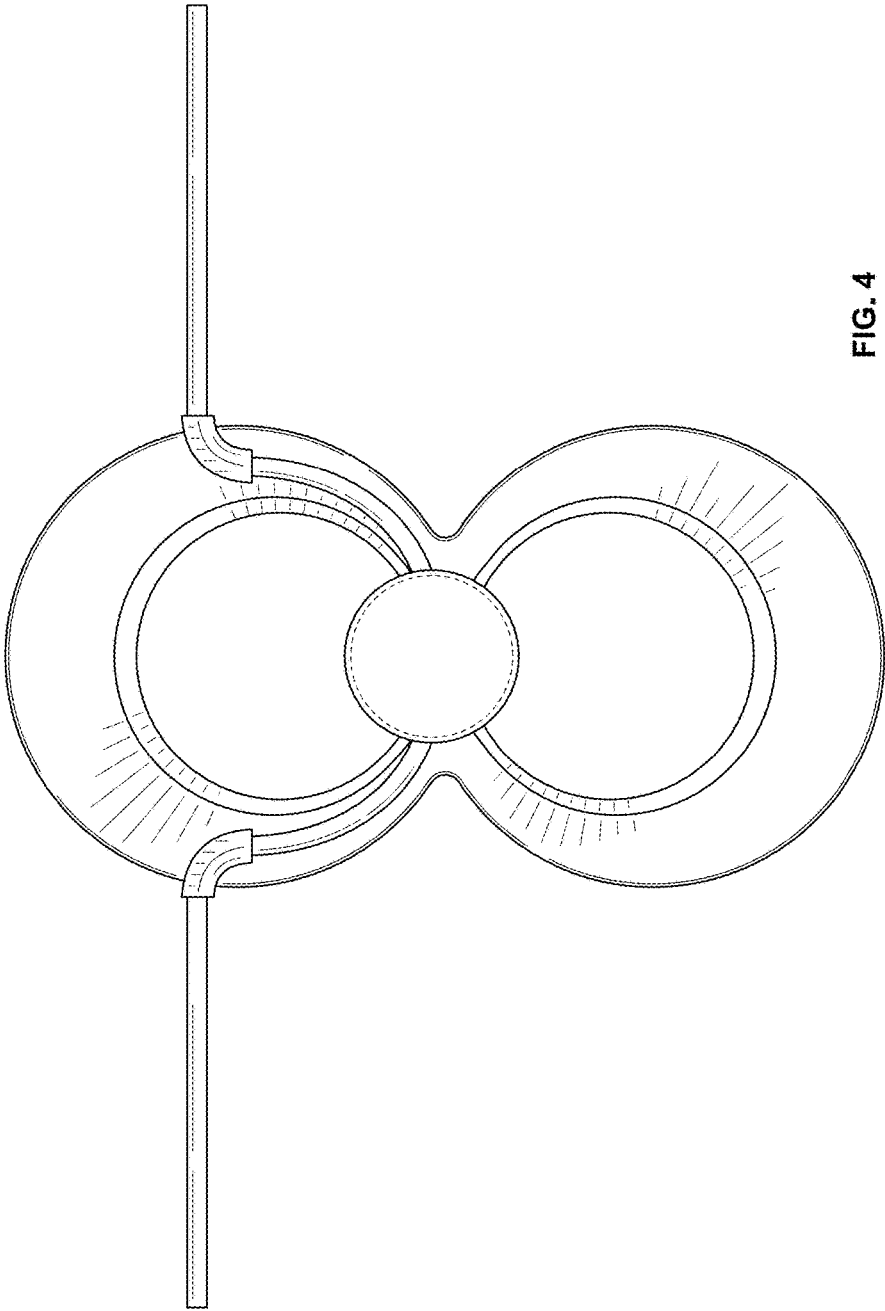


FIG. 4

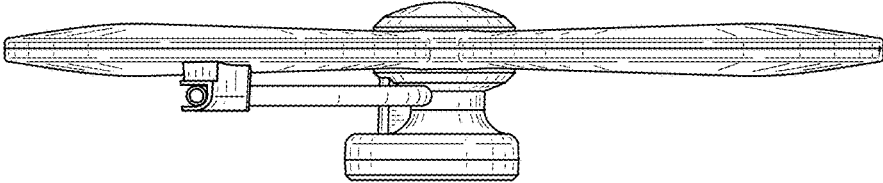


FIG. 6

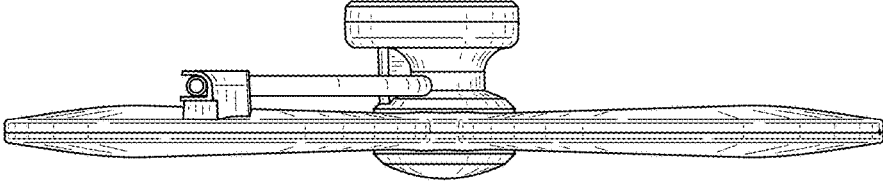


FIG. 5

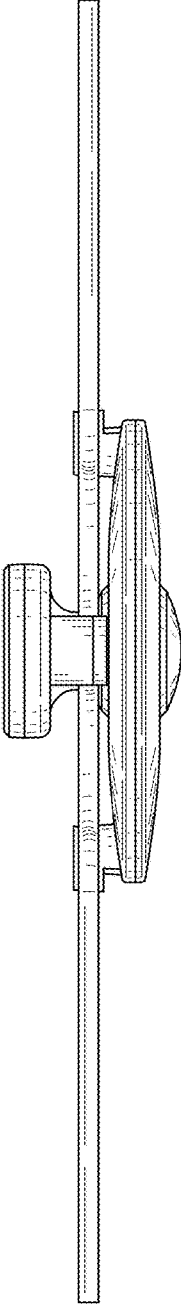


FIG. 7

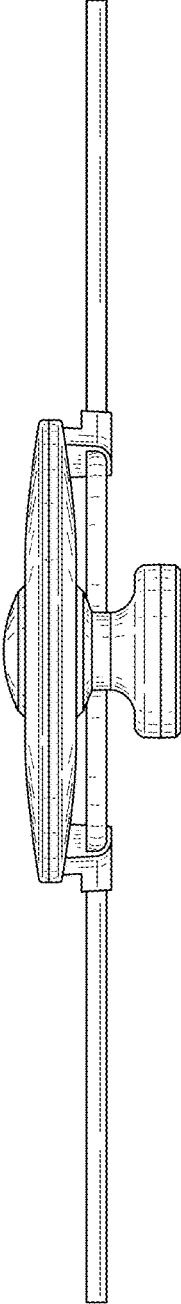


FIG. 8